

Fixed optical attenuator

Product brief introduction

- Many configurations provided
- Small size, easy to installation
- good environment performance
- High return loss
- According standard: YD/T894

Applications

- Optical fiber communication networks
- Optical LAN
- Optical CATV
- optical fiber sensors
- Test equipment

Performances

Parameter	Adapter type	Plug type	In-line type	FC Variable Type
Operating wavelength (nm)	—	1310 or 1550	1310 or 1550	1310 or 1550
Operating bandwidth (nm)	—	±20	±20	/
Return loss (Db)	—	>40	—	/
Attenuation & accuracy (dB)	1~4(±0.5 dB), 5~25 (±10%)			0~25
Interface type (dB)	FC/SC/ST/LC			FC
Operating Temp. (°C)	-25~+70			
Max. optical power (mW)	300			

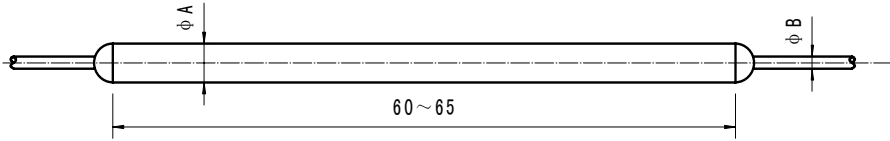
NOTE: 1) You must clean the ceramic ferrule and it's tip with alcohol and absorbent cotton very carefully before using.

2) The minimum bending diameter should not be less than 25 times of the fiber/cable diameter.

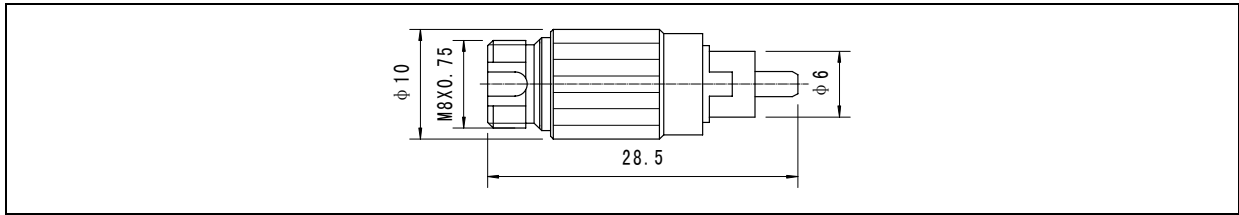
3) Please avoid cashing or bumping them in use, Put on the dust cap immediately after using

Outline dimensions

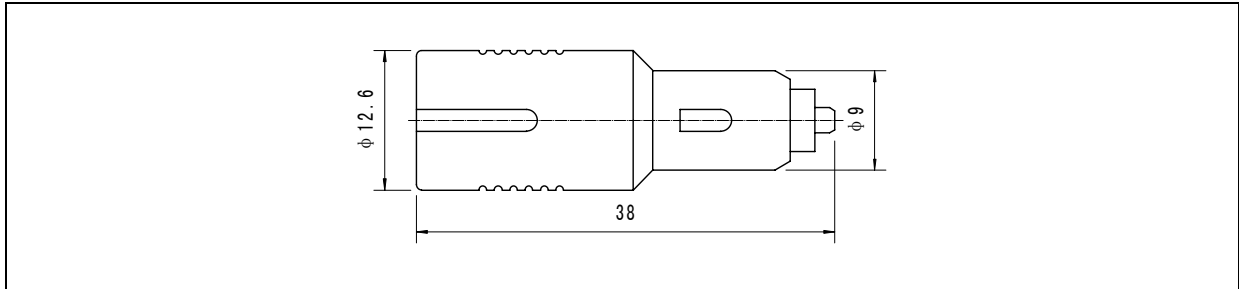
[In-line attenuator]

	
A	B
3.2	0.9/2(adhesive)
4.2	3 (adhesive)

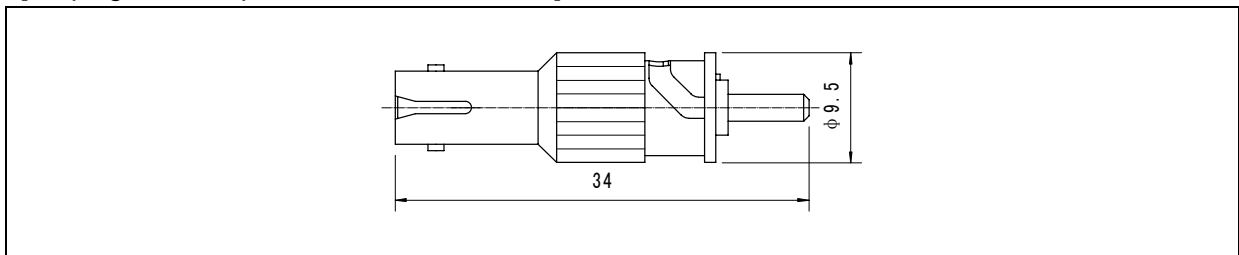
[FC plug and receptacle attenuator: AT-FC]



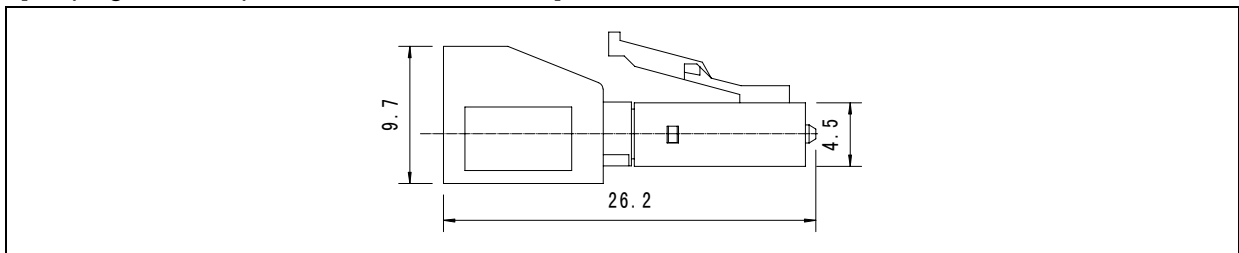
[SC plug and receptacle attenuator: AT-SC]



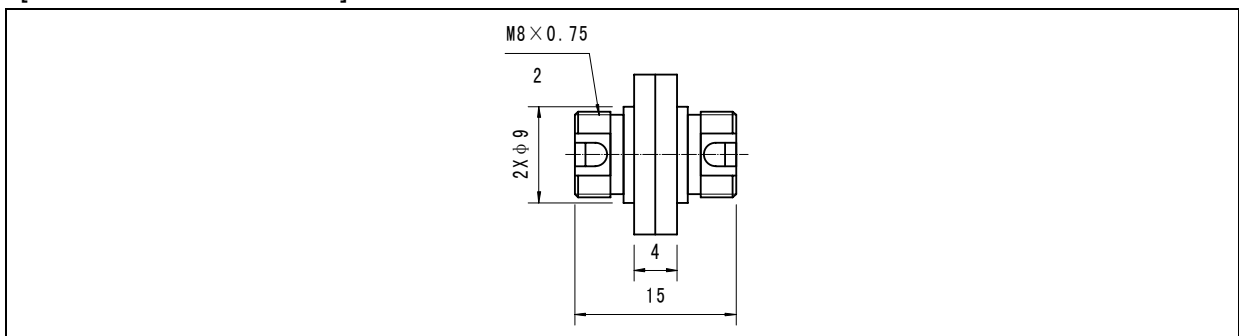
[ST plug and receptacle attenuator: AT-ST]



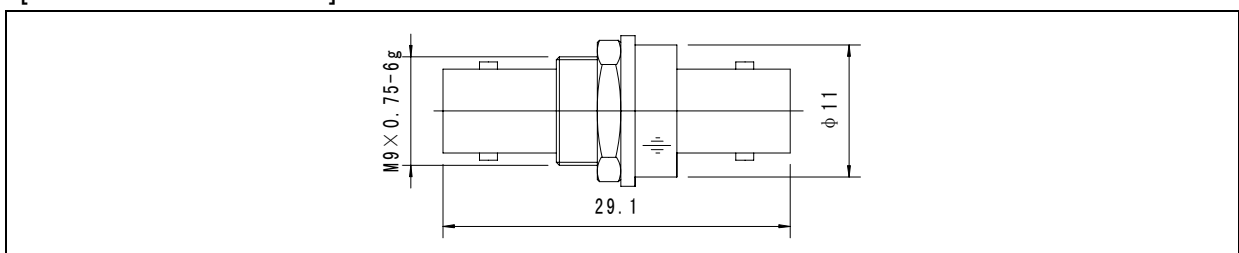
[LC plug and receptacle attenuator: AT-LC]



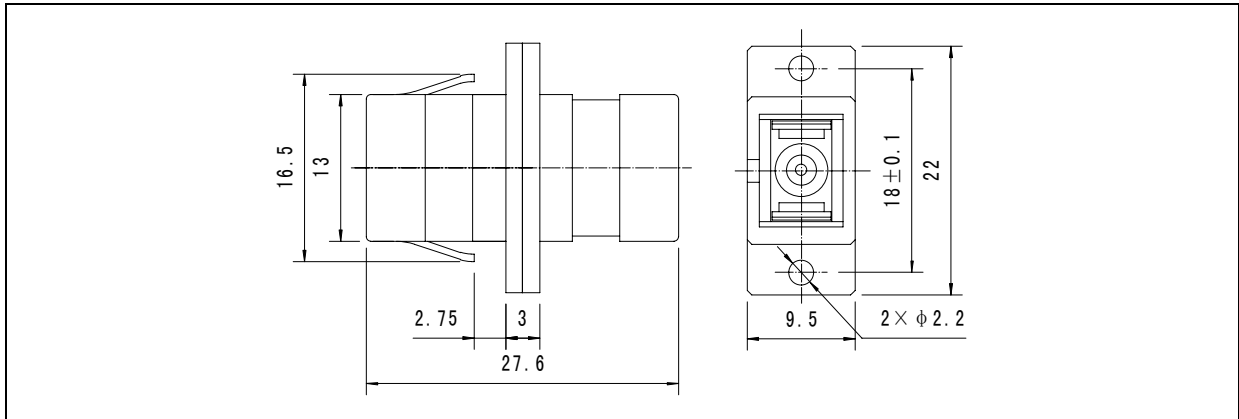
[FC attenuator: AT-FC-A]



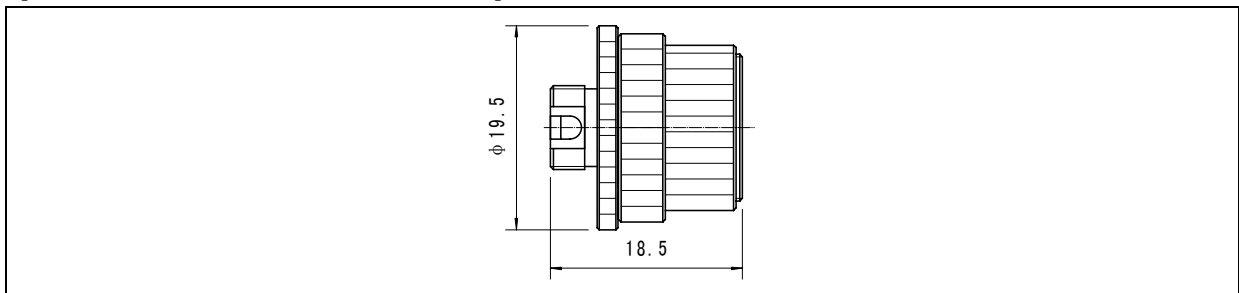
[ST attenuator: AT-ST-A]



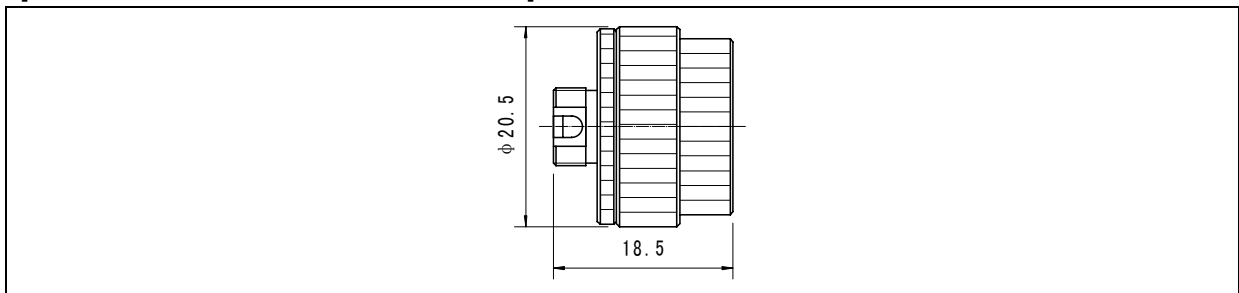
[SC attenuator: AT-SC-A]



[VAT-FC -A (FC Variable attenuator)]



[VAT-FC-A-01 (FC Variable attenuator)]



Attenuator selection guideline

[Plug and receptacle type, adaptor type]

Basic series	AT	-13	-05	-FC	-A	-M
	Attenuation amount fixation					
Operation wavelength	Detailed operation wavelength see Table 1					
Attenuation amount	5, 10, 15, 20 stand for 5dB, 10 dB, 15 dB, 20 dB					
Port type	Connect with FC, SC and ST					
Attenuator type	Adapter type: -A Plug and receptacle type: omitted					
Transmission mode	SM (9/125): omitted; MM (62.5/125): -M; MM (50/125): -MI					

Example: AT-13-10-FC-A

Explanation: Operation wavelength is 1310nm. Attenuation amount is for the 10dB FC adapter SM attenuator.

[In-line type]

Basic series	SA	-13	-01	-FC	*FC	-Φ2	-S	1	/2
Operation wavelength	Detailed operation wavelength see Table 1								
Attenuation amount	01~15 (1dB~15dB)								
Plug type at input port	Connect with FC, SC and LC								
Plug type at output port	Connect with FC, SC and LC								
Optic cable diameter	Stand for all the cable sizes, including Φ0.25, Φ0.9, Φ2 and Φ3, Unit: mm								
Transmission mode	Detailed transmission mode see Table 2								
Optic cable length at input port	Indicate the number, Unit: m								
Optic cable length at output port	Indicate the number, Unit: m								

Example: SA-13-05-FC*FC-Φ2-S1.5/1.5

Explanation: Operation wavelength is 1310nm. Attenuation amount is for the 5dB, input and output ports as FC/PC type connectors. Input and output cable lengths are all 1.5m cable with diameter of 2mm in-line SM attenuator.

Table 1 Operation wavelength (nm)

Attenuator	13=1310	15=1550	98=980	85=850	1315=1310/1550
------------	---------	---------	--------	--------	----------------

Table 2 Transmission mode

No.	Transmission mode of optic fiber	Code
1	G652 general type SM optic fiber (SM optic fiber for short)	S
2	Core diameter 62.5/125 MM optic fiber	M
3	Core diameter 50/125 MM optic fiber	M I