

EL32 series metal frame electrical connector

Brief introduction

- Metal frame, single cavity or double cavities structure
- EMI shielding
- Used in high & low frequency AC/DC circuit
- Hyperboloid wire spring socket
- Anti mismatching leading pins and leading sleeves
- Contact termination soldering
- Can be interchanged with Russia РПКМ series products
- Enterprise standard: 21E0.204.079JT



Main technical characteristics

1. Working temperature: -55°C~+200°C
2. Vibration: 10~2000HZ, acceleration 15g
3. Shock: 490 m/s²
4. Rated current and contact resistance:

Contact size	Rated current	Contact resistance
φ1.0	5A	0.005Ω
φ1.5	10A	0.0025Ω
φ0.6 coaxial	—	0.01Ω

5. Insulation resistance: Normal ≥1000MΩ, damp heat≥50 MΩ
6. Withstanding voltage: sea level 1500V; 15240m: 1000V
7. Endurance: 500 cycles

Part number illustration

1. Single cavity structure:

Basic series	EL32	T	67	H	3	J	D1
Connector Type	T-Plug with pin		Z-Receptacle with socket				
Contact number	See layout						
Termination Type	H- Wire Soldering						
Back accessory	1, 3— Without accessory		4— With accessory				
Contact plating	J— Gold plating (No mark for silver plating)						
Shell plating	D1— Aluminum alloy chemical nickel plating D40— Stainless steel passive						

Part number example:

- Plug: EL32 series single cavity structure, plug loaded with pins, 67 cores, wire soldering, without back accessory, gold plating contact, electroless nickel plating shell, the part number is EL32T67H3J.
- Receptacle: EL32 series single cavity, receptacle, loaded with sockets, 67 cores, wire soldering, without back accessory, gold plating contact, electroless nickel plating shell, the part number is

EL32Z67H3J

- Electrical connector P/N: EL32Z67H3J/H3J

2. Double cavity structure

Basic series	EL32	T	67	/57	H	3	J	D1
Connector Type	T-Plug with pin Z-Receptacle with socket							
Contact number of the upper cavity	see layout							
Contact number of the bottom cavity	see layout							
Termination	H- Wire Soldering							
Rear accessory	1, 3 – Without accessory 4 – With accessory							
Contact plating	J – Gold plating (No mark for silver plating)							
Shell plating	D1 – Aluminum alloy chemical nickel plating							

Part number example:

- Plug: EL32 series double cavity structure, plug loaded with pins, top cavity 67 cores, bottom cavity 67 cores, wire soldering, without back accessory, gold plating contact, electroless nickel plating shell, the part number is EL32T67/67H3J
- Receptacle: EL32 series double cavity structure, receptacle loaded with sockets, top cavity 67 cores, bottom cavity 67 cores, wire soldering, without back accessory, gold plating contact, electroless nickel plating shell, the part number is EL32Z67/67H3J
- Electrical connector P/N: EL32Z67/67H3J/H3J

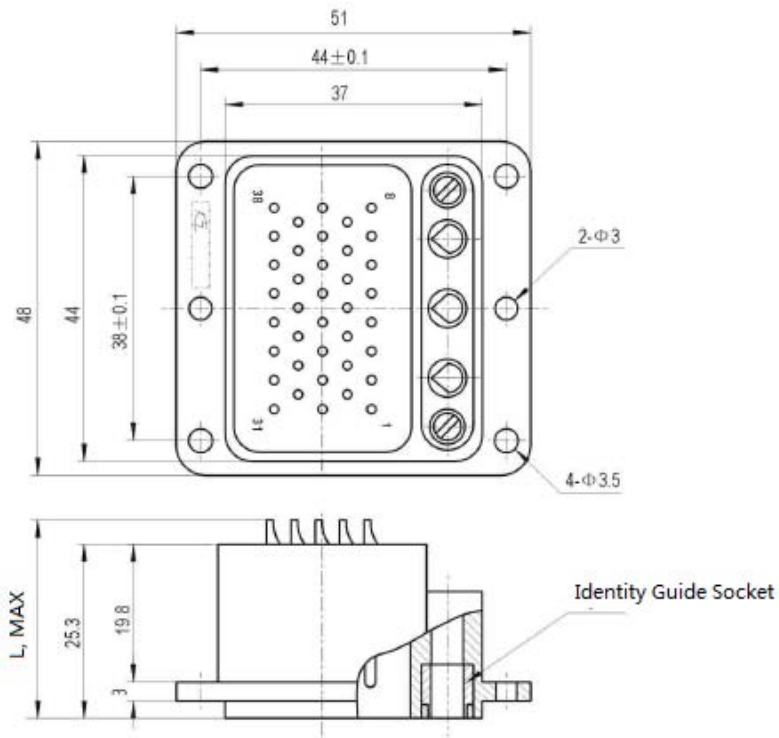
Contact layout (Mating surface of the insulator, loaded with sockets) Contact combination code (Contact number)

1(26 contacts)	2(38 contacts)	3(45 contacts)
<p>26-Φ1.5</p>	<p>38-Φ1.5</p>	<p>45-Φ1.0</p>
4(57 contacts)	5(67 contacts)	6(32 contacts)
<p>57-Φ1.0</p>	<p>64-Φ1.0, 3-Φ1.5</p>	<p>30-Φ1.0, 2-Φ0.6 Coaxial</p>
7(6 contacts)		
<p>6-Φ0.6 Coaxial</p>		

Outline dimension

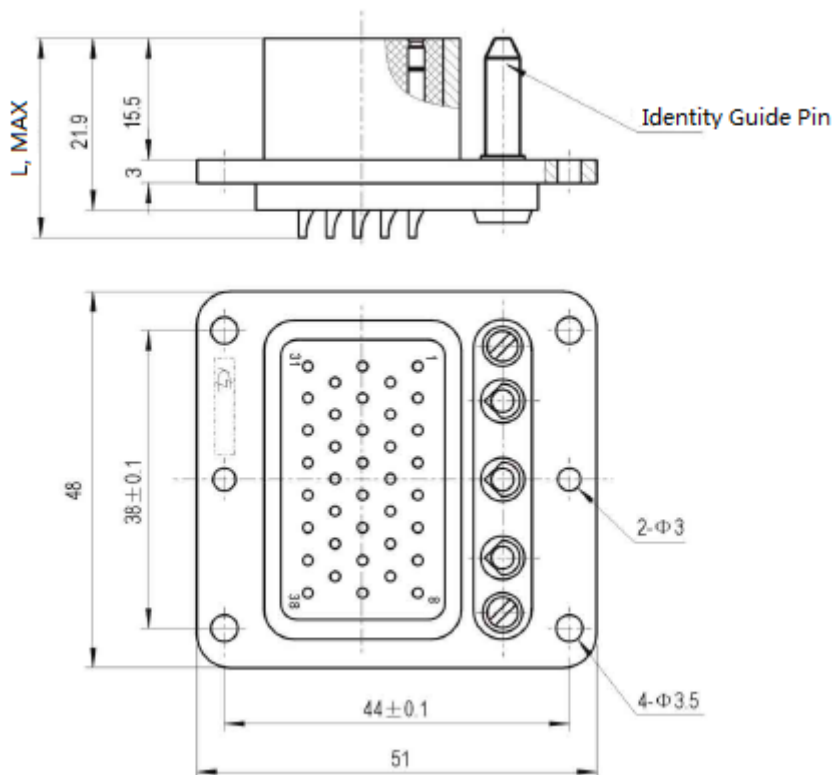
1. Single cavity structure:

Plug



Contact combination code	L, mm
1,2,3,4,5	28
6,7	38

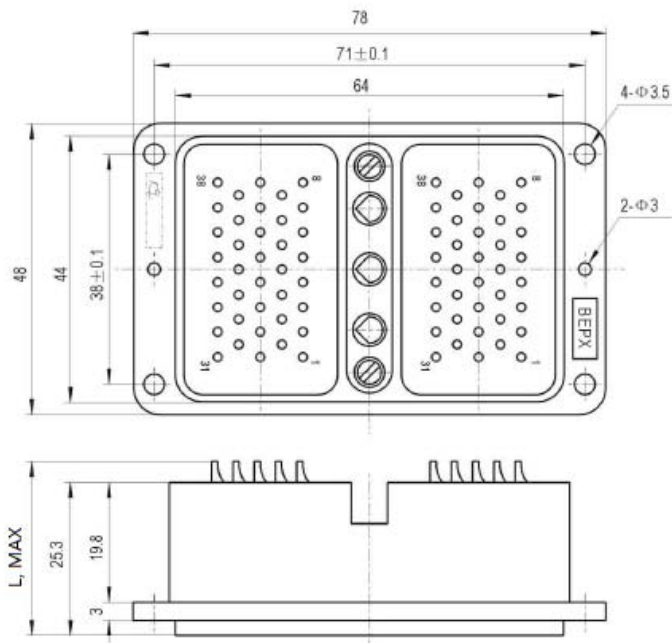
Receptacle



Contact combination code	L, mm
1,2,3,4,5	24
6,7	34

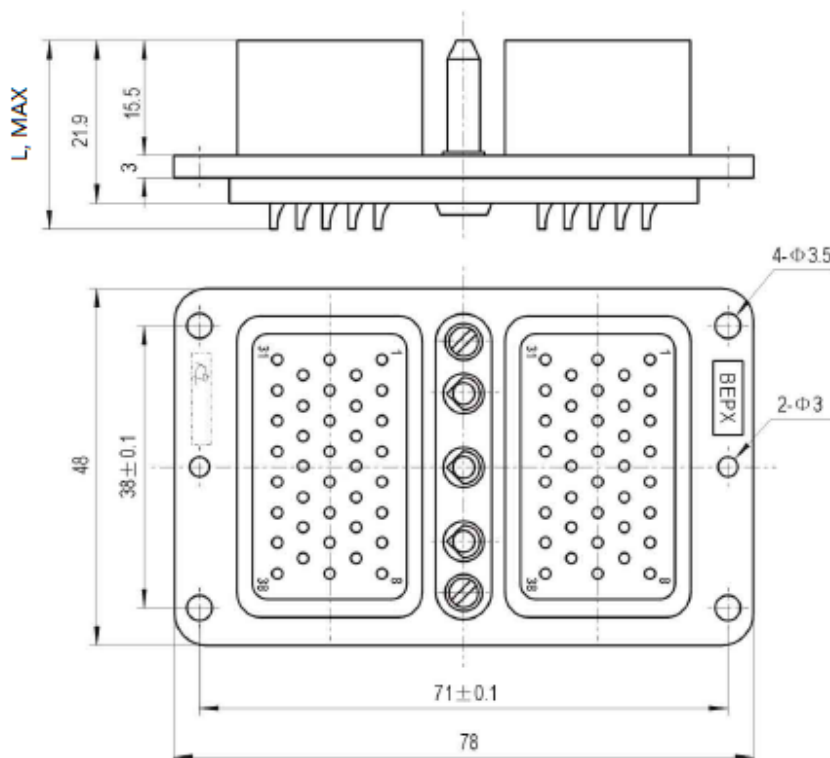
Double cavity structure

Plug



Contact combination code	L, mm
1,2,3,4,5	28
6,7	38

Receptacle



Contact combination code	L, mm
1,2,3,4,5	24
6,7	34