

EH Series Optical Connector & Adapter

Product brief introduction

- Standard metallic parts with excellent interchangeability
- Ceramic ferrule, PC, UPC & APC polishing
- Available to OFNR cable or LSZH cable
- Cable OD: $\phi 0.9$, $\phi 2$, $\phi 3$
- One-piece metallic body design, ceramic sleeve, low insertion loss
- Standard: YD/T1272.4, IEC61754-13, IEC874-7

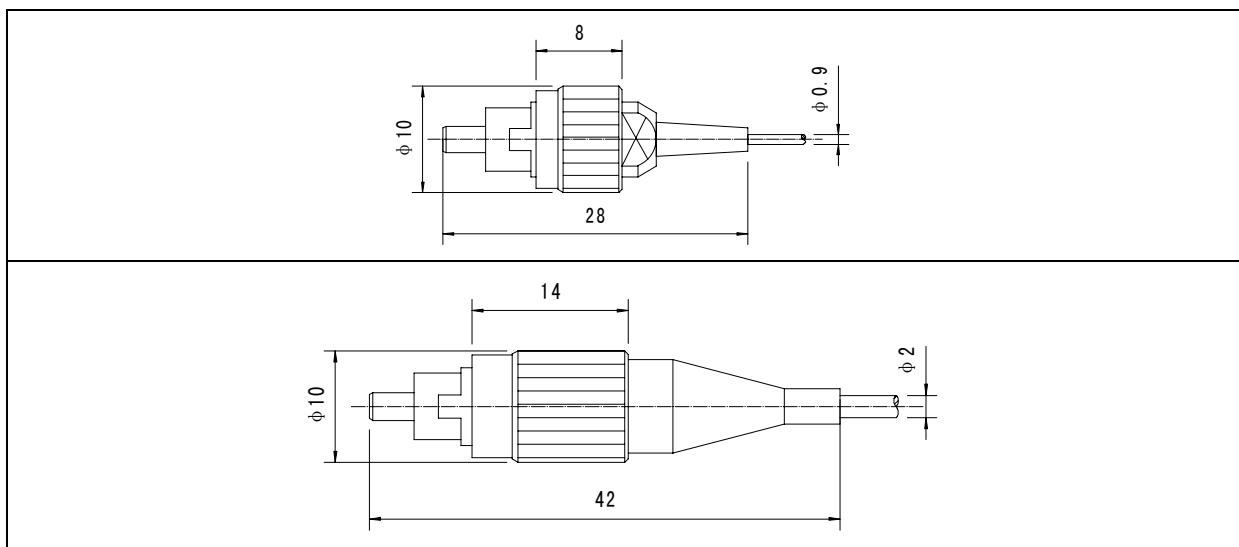
Applications

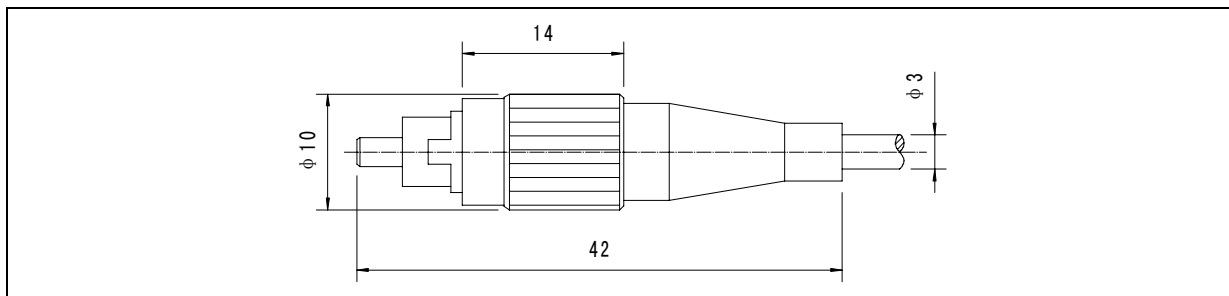
- Optical fiber communication network
- Optical CATV
- Optical LAN
- Instruments and meters

Performances

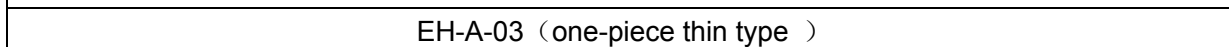
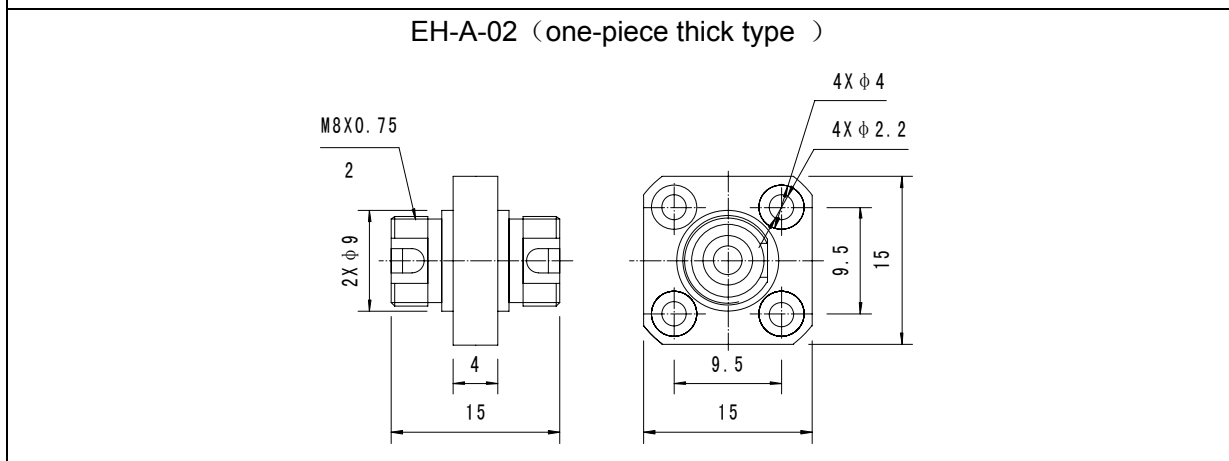
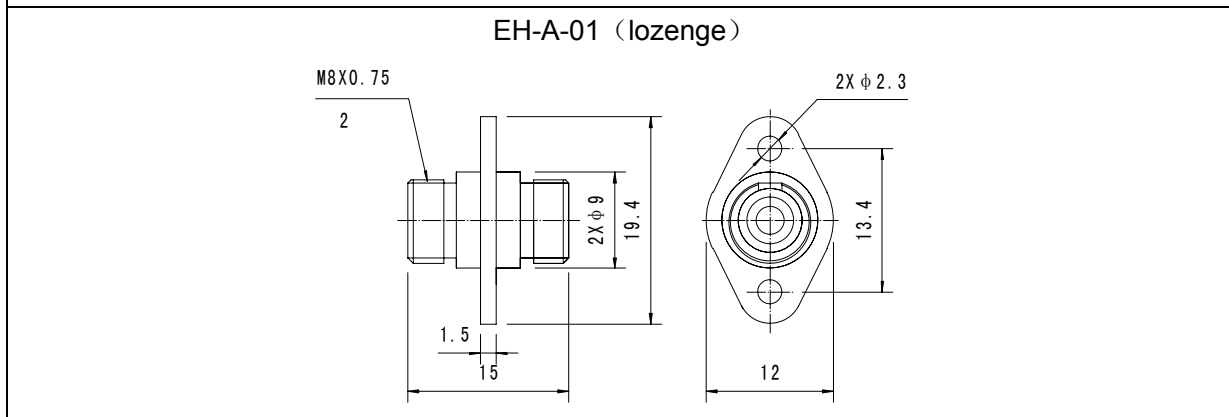
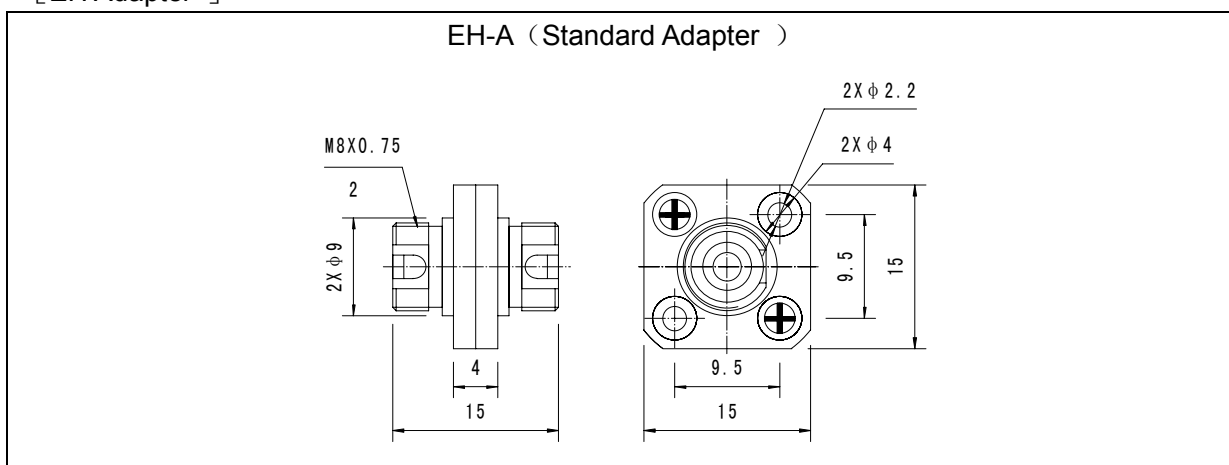
Parameters	plug				Adapter
	SM			MM	
	PC	UPC	APC	PC	
Return Loss (dB)	≥ 45	≥ 50	≥ 60	≥ 35	/
Insertion Loss (dB)	≤ 0.2 (typical), ≤ 0.3 (Max)				≤ 0.1 (typical)
Repeatability (dB)	≤ 0.1				/
Durability (cycles)	$\geq 1,000$				$\geq 1,000$
Operating Temp. (°C)	$-40 \sim +85$				$-40 \sim +85$
Tensile strength (N)	$\geq 90(\phi 3)$, $\geq 70(\phi 2)$, not required for $\phi 0.9$ product				/

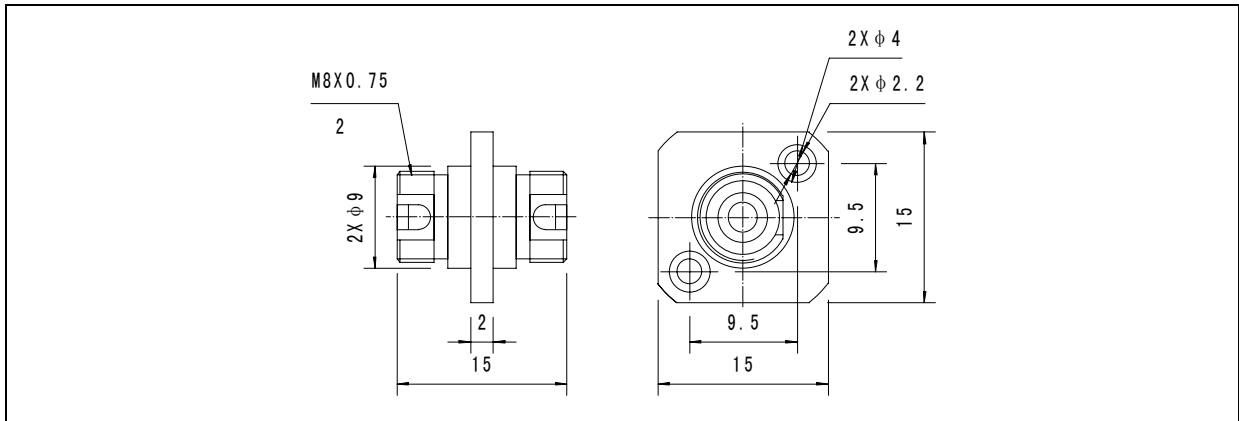
Outline dimensions [EH plug]



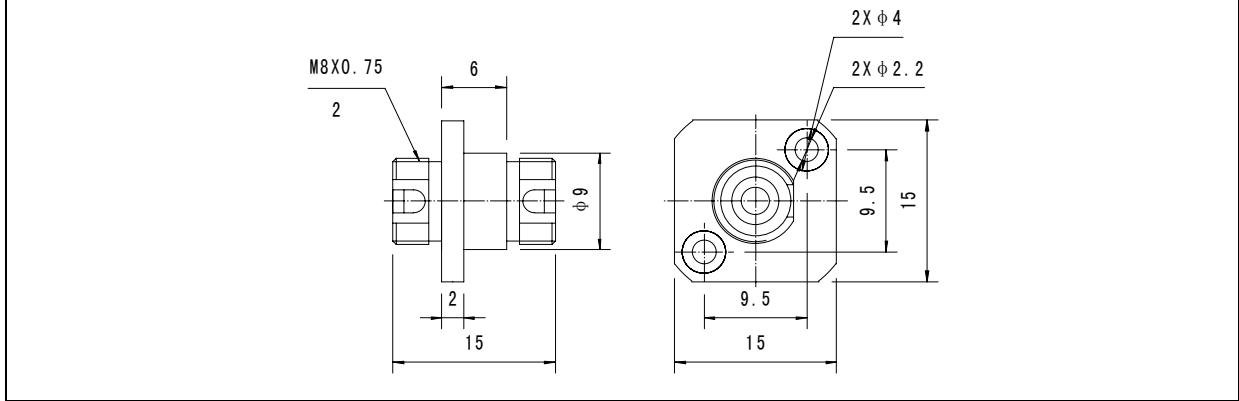


[EH Adapter]

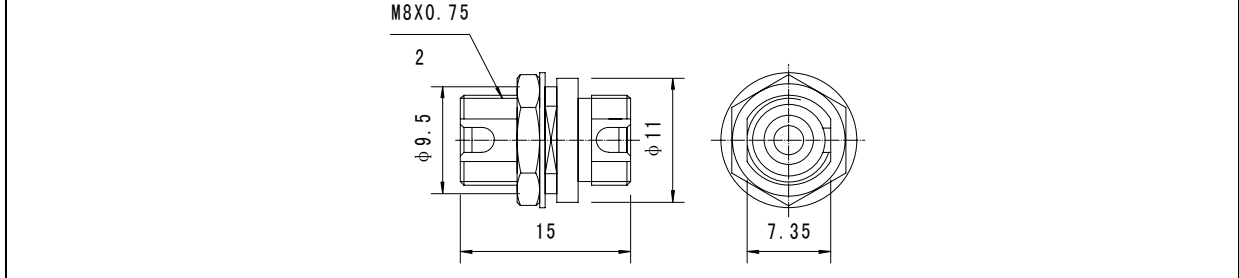




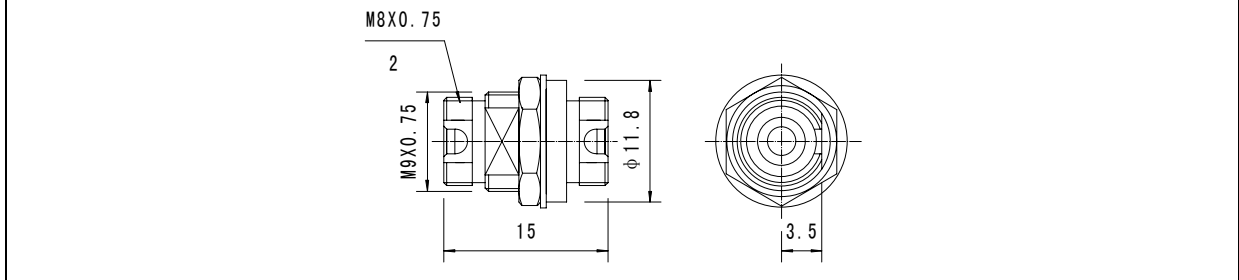
EH-A-04 (thick wall mounting type)



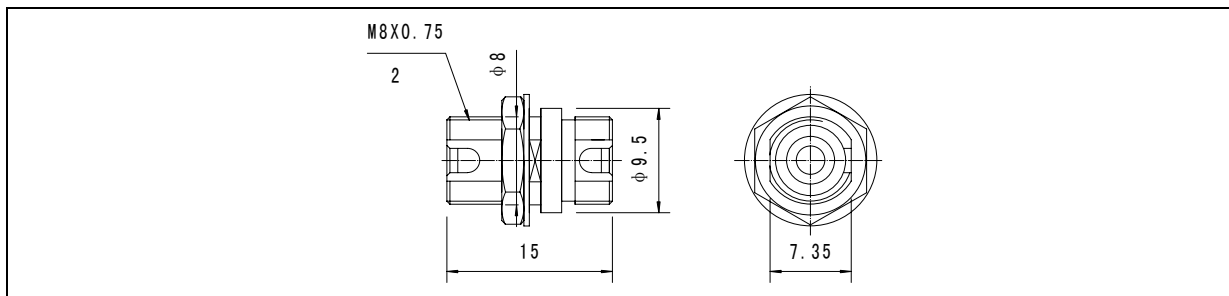
EH-A (H) (H TYPE)



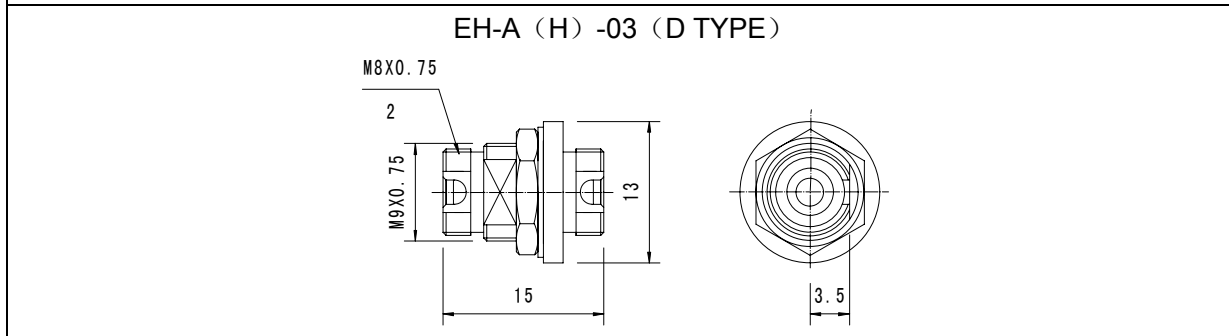
EH-A (H) -01 (D TYPE)



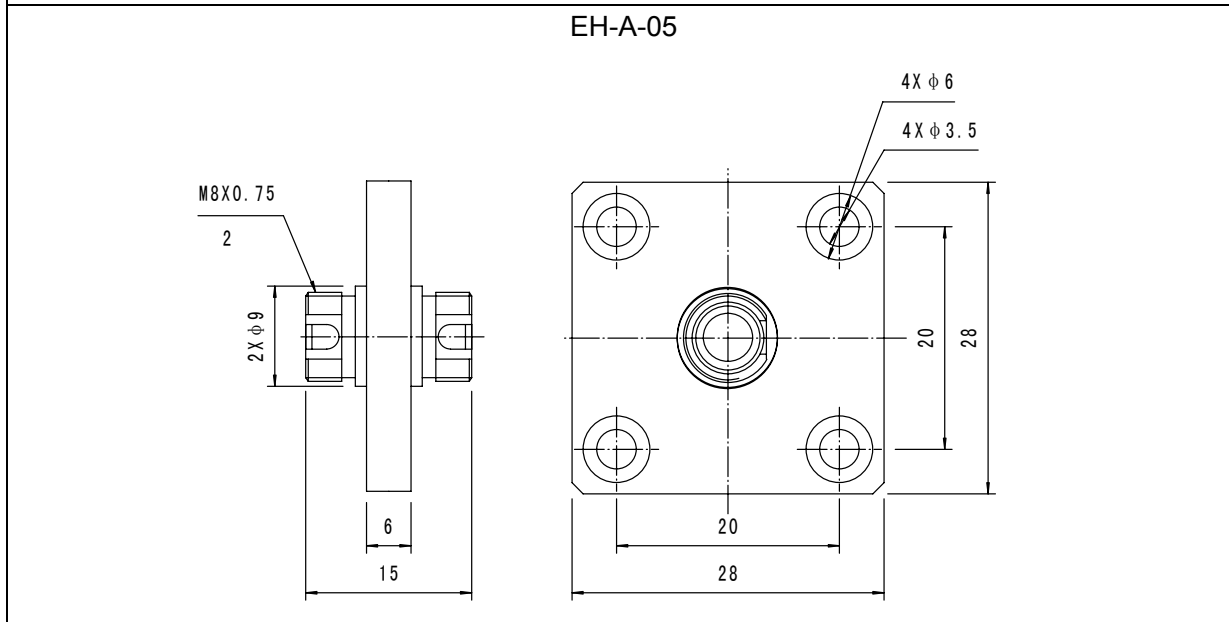
EH-A (H) -02 (Small H TYPE)



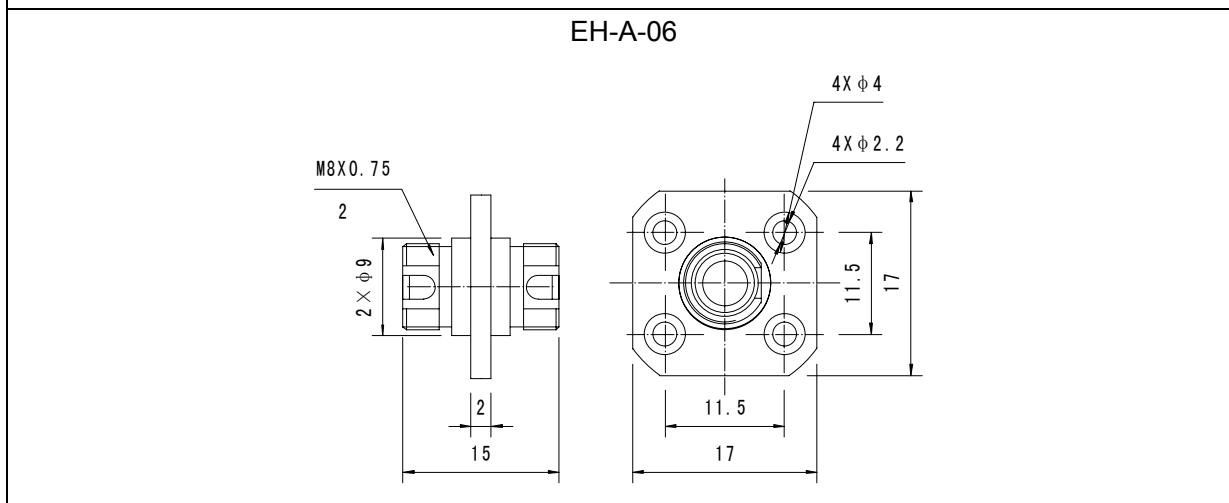
EH-A (H) -03 (D TYPE)



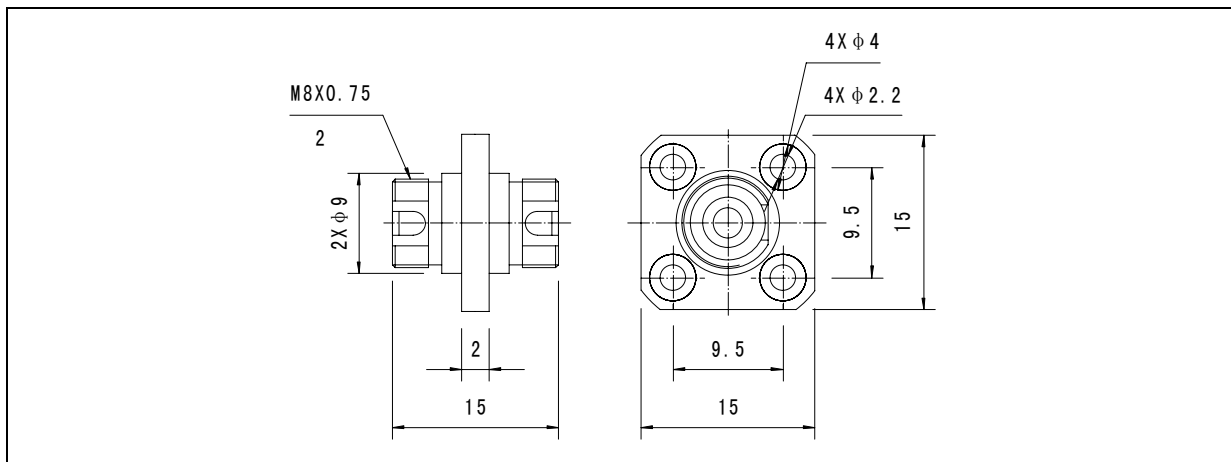
EH-A-05



EH-A-06



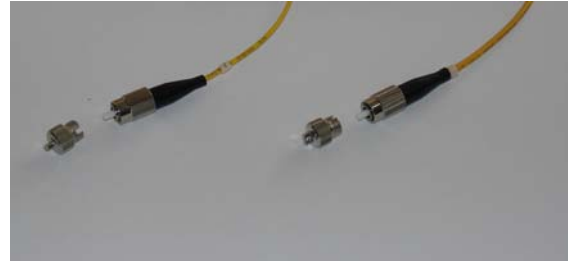
EH-A-07



EHU Optic connectors

Product brief introduction

- EH improved type with IP67 protection
- Metallic dust covers
- Standard metallic parts with excellent interchangeability
- Ceramic ferrule, PC, UPC & APC polishing
- Available to OFNR cable or LSZH cable
- Cable OD: $\phi 2$, $\phi 3$
- Standard: YD/T1272.4, IEC61754-13, IEC874-7



Applications

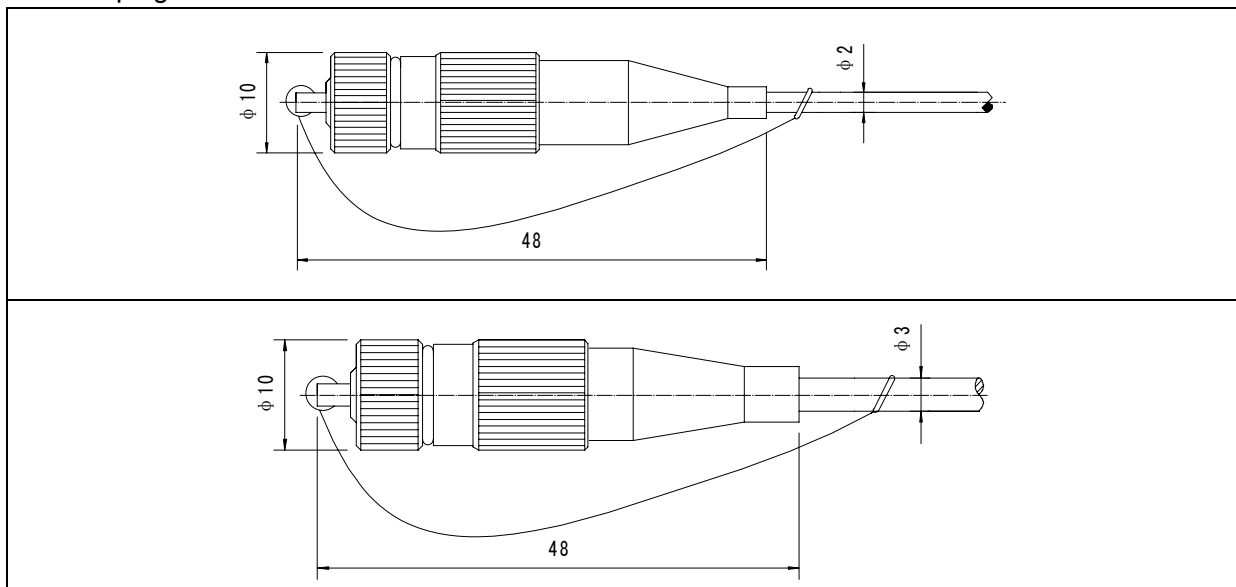
- Optical fiber communication networks
- Optical CATV
- Optical LAN
- Instruments and meters

Performances

Parameters	plug			
	SM (SM)			MM (MM)
	PC	UPC	APC	PC
Return Loss (dB)	≥ 45	≥ 50	≥ 60	≥ 35
Insertion Loss (dB)	≤ 0.2 (typical), ≤ 0.3 (Max)			
Repeatability (dB)	≤ 0.1			
Durability (cycles)	$\geq 1,000$			
Operating Temperature ($^{\circ}\text{C}$)	$-40 \sim +85$			
Tensile strength (N)	$\geq 90(\phi 3)$, $\geq 70(\phi 2)$, not required for $\phi 0.9$ product			

Outline dimensions

[EHU plug]



EHU-A-01 Adapter

Product brief introduction

- Match with EHU series, IP67 protection
- Double-sealing rings connector
- One-piece metallic body design, ceramic sleeve, low insertion loss
- Standard: YD/T1272.4, IEC61754-13, IEC874-7

Applications

- Various optic fiber telecommunication system
- optic fiber CATV
- optic fiber LAN
- Instruments

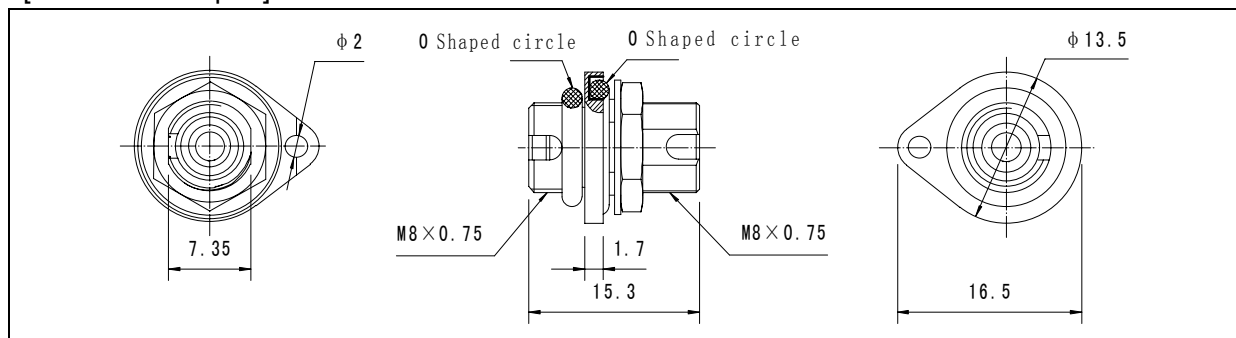


Performances

Parameters	Performances
Return Loss (dB)	/
Insertion Loss (dB)	≤0.1 (typical)
Repeatability (dB)	/
Durability (cycles)	≥1,000
Operating Temperature (°C)	-40~+85
Tensile strength (N)	/

Outline dimensions

[EHU-A-01 Adapter]



EHO Optic connectors

Product brief introduction

- Standard metallic parts with excellent interchangeability
- Ceramic ferrule, PC, UPC & APC polishing
- Available to OFNR cable or LSZH cable
- Standard EH port, right angle back shell
- Cable OD: $\phi 3$
- Standard: YD/T1272.4, IEC61754-13, IEC874-7

Applications

- Various optic fiber telecommunication system
- optic fiber CATV
- optic fiber LAN
- Instruments

Performances

Parameters	plug			
	SM			MM
	PC	UPC	APC	PC
Return Loss (dB)	≥ 45	≥ 50	≥ 60	≥ 35
Insertion Loss (dB)	≤ 0.2 (typical), ≤ 0.3 (Max)			
Repeatability (dB)	≤ 0.1			
Durability (cycles)	$\geq 1,000$			
Operating Temperature ($^{\circ}\text{C}$)	$-40 \sim +85$			
Tensile strength (N)	≥ 90			

Outline dimensions [EHO optic fiber plug]

