

EA55 series electric connector

Product Introduction

- Comply with the general specification of GJB 1438
- $\Phi 0.6$ hyperboloid wire spring socket
- 1.905mm grid gap
- Nine specifications: 36、48、66、96、110、152、186、202、220 cores
- Enterprise standard: 21E0.204.122JT

Main technical performance

- Contacts diameter: $\Phi 0.6\text{mm}$
- Contact resistance: $\leq 0.007\Omega$
- Current rating: 2A
- Insulation resistance: normal temperature $\geq 1000\text{M}\Omega$, damp heat $\geq 100\text{M}\Omega$
- Withstand voltage

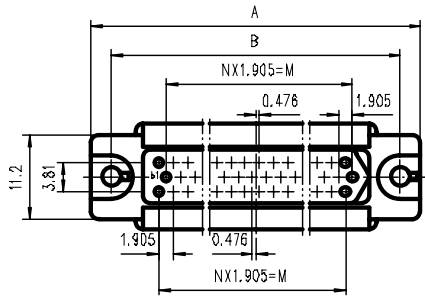
| Air pressure KPa | Altitude m | Voltage V(AC RMS) |
|------------------|------------|-------------------|
| 101.3 | Sea level | 800 |
| 4.4 | 21336 | 250 |
| 2.5 | 25000 | 175 |

- Ambient temperature: $-55^{\circ}\text{C}\sim+125^{\circ}\text{C}$
- Relative humidity (RH): $40\pm 2^{\circ}\text{C}$, 98%
- Vibration: frequency 10~2000Hz, acceleration 147m/s^2
- Shock: Acceleration 490m/s^2
- Endurance: 1000 cycles

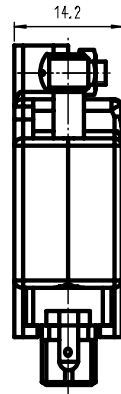
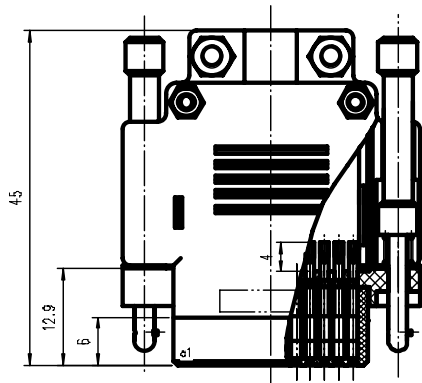
Ordering Information

| No. | Classify Characteristics | Classify contents | Mark |
|-----|--------------------------|--|---------------|
| 1 | Basic series | Rectangular PCB electrical connectors series 33 | EA55 |
| 2 | Structure type | Plug (installed with pin) | T |
| | | Receptacle (installed with socket) | Z |
| | | Plug (installed with socket) | S |
| | | Receptacle (installed with pin) | P |
| | | Multi-tap (pin in one side, socket another side) | LZ |
| 3 | Number of contacts | 36, 48, 66, 96, 110, 152, 186, 202, 220 | Marked number |
| 4 | Terminating form | Wire soldering | H |
| | | Elbow PCB dip soldering | W |
| | | Straight PCB dip soldering straight | B |
| 5 | Contacts plating | Gold plating | J |
| 6 | Type of bushings | Plastic bushings | No mark |
| | | Metal bushings | A |
| 7 | Remodel mark | -01, -02..... | -01, -02..... |

plug EA55S36HJ EA55S48HJ

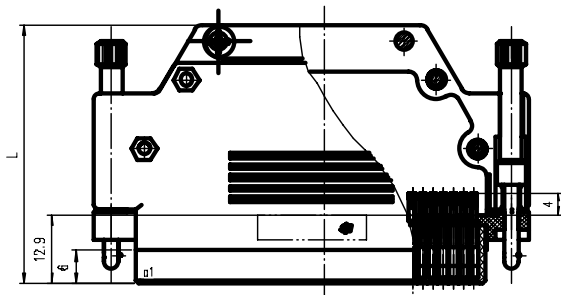
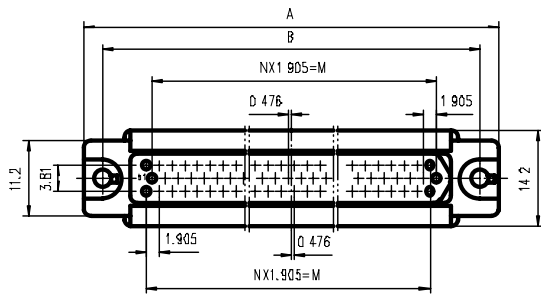


| model | A | B | N | M |
|-----------|------|------|----|--------|
| EA55S36HJ | 40.0 | 34.0 | 11 | 20.955 |
| EA55S48HJ | 47.6 | 41.6 | 15 | 28.575 |



* 焊线杯内径Φ0.7

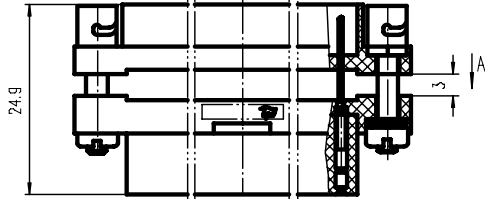
plug EA55S66HJ EA55S96HJ



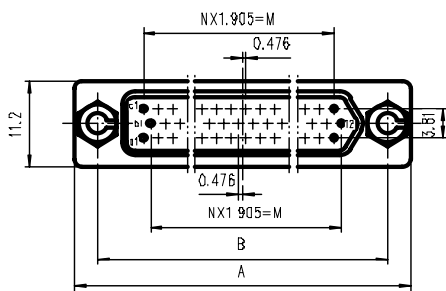
| model | A | B | N | M | L |
|-----------|------|------|----|--------|------|
| EA55S66HJ | 61.0 | 54.6 | 21 | 40.005 | 45.0 |
| EA55S96HJ | 80.0 | 73.6 | 31 | 59.055 | 48.0 |

* Welded cup diameterΦ0.7

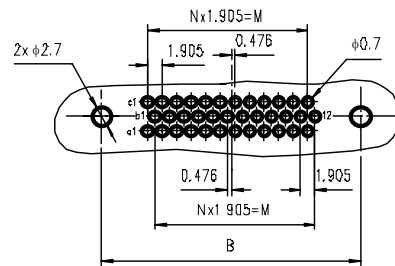
Transfer socket EA55LZ36 EA55LZ48 EA55LZ96



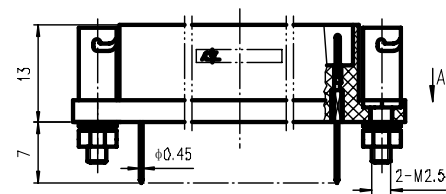
| model | A | B | N | M |
|----------|------|------|----|--------|
| EA55LZ36 | 40.0 | 34.0 | 11 | 20.955 |
| EA55LZ48 | 47.6 | 41.6 | 15 | 28.575 |
| EA55LZ96 | 80.0 | 73.6 | 31 | 59.055 |



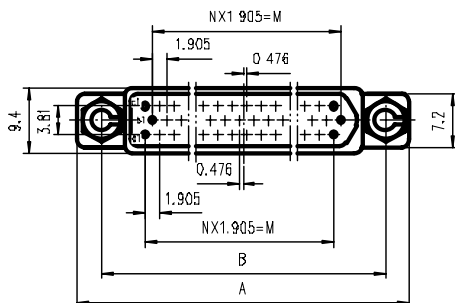
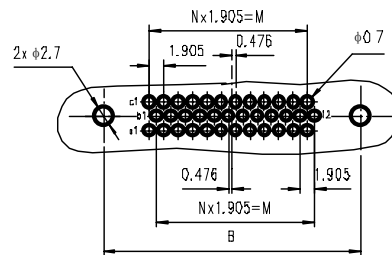
Printed board opening size (to A)



socket EA55P36BJ EA55P48BJ EA55P66BJ EA55P96BJ

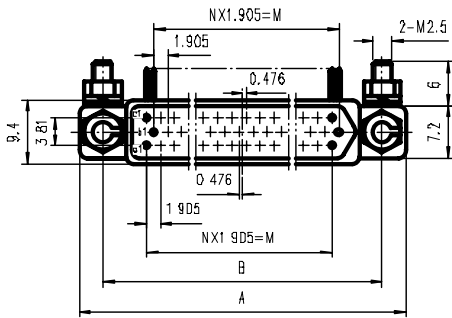
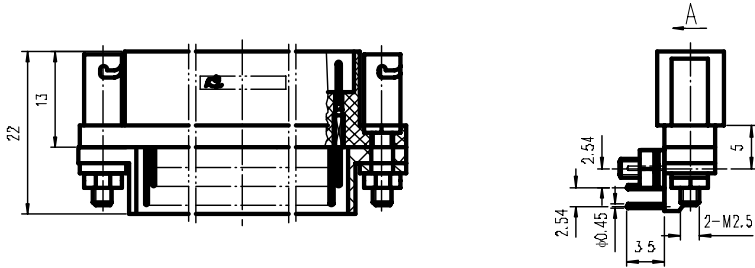


Printed board opening size (to A)



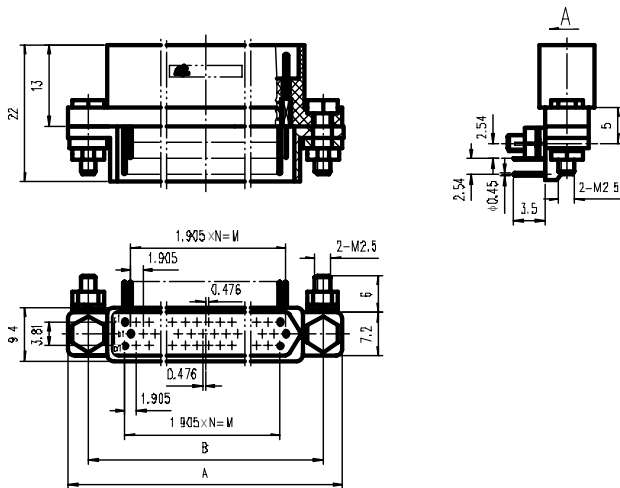
| model | A | B | N | M |
|-----------|------|------|----|--------|
| EA55P36BJ | 40.0 | 34.0 | 11 | 20.955 |
| EA55P48BJ | 47.6 | 41.6 | 15 | 28.575 |
| EA55P66BJ | 61.0 | 54.6 | 21 | 40.005 |
| EA55P96BJ | 80.0 | 73.6 | 31 | 59.055 |

socket EA55P36WJ、EA55P48WJ、EA55P66WJ、EA55P96WJ

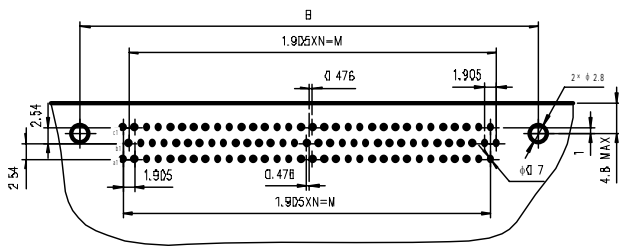


| model | A | B | N | M |
|-----------|------|------|----|--------|
| EA55P36WJ | 40.0 | 34.0 | 11 | 20.955 |
| EA55P48WJ | 47.6 | 41.6 | 15 | 28.575 |
| EA55P66WJ | 61.0 | 54.6 | 21 | 40.005 |
| EA55P96WJ | 80.0 | 73.6 | 31 | 59.055 |

socket EA55P36WJ01 EA55P48WJ01 EA55P96WJ01

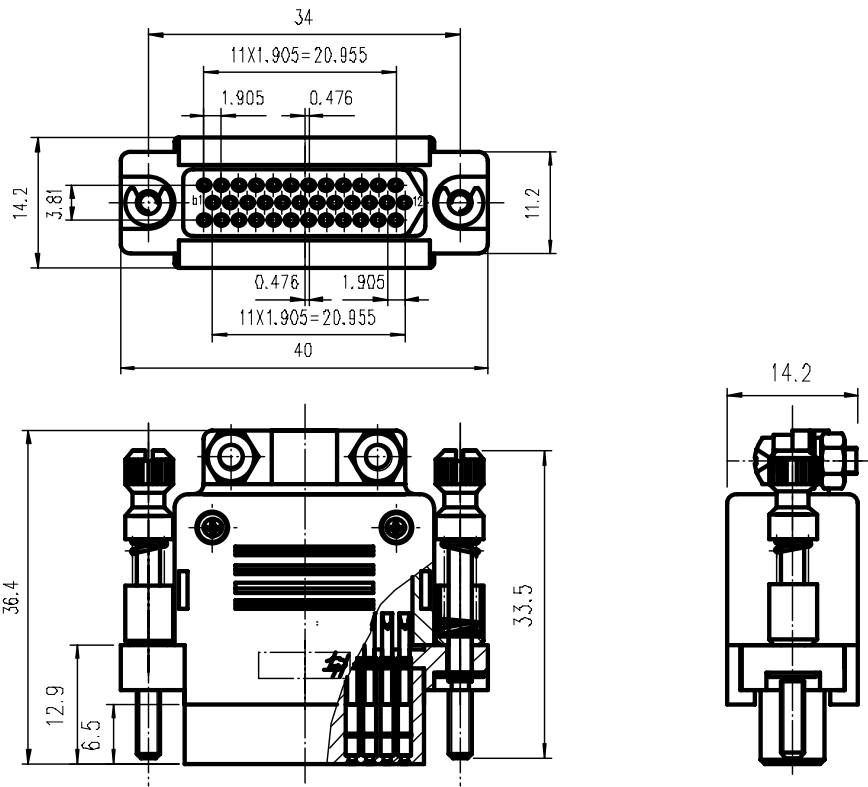


Printed board opening size (to A)

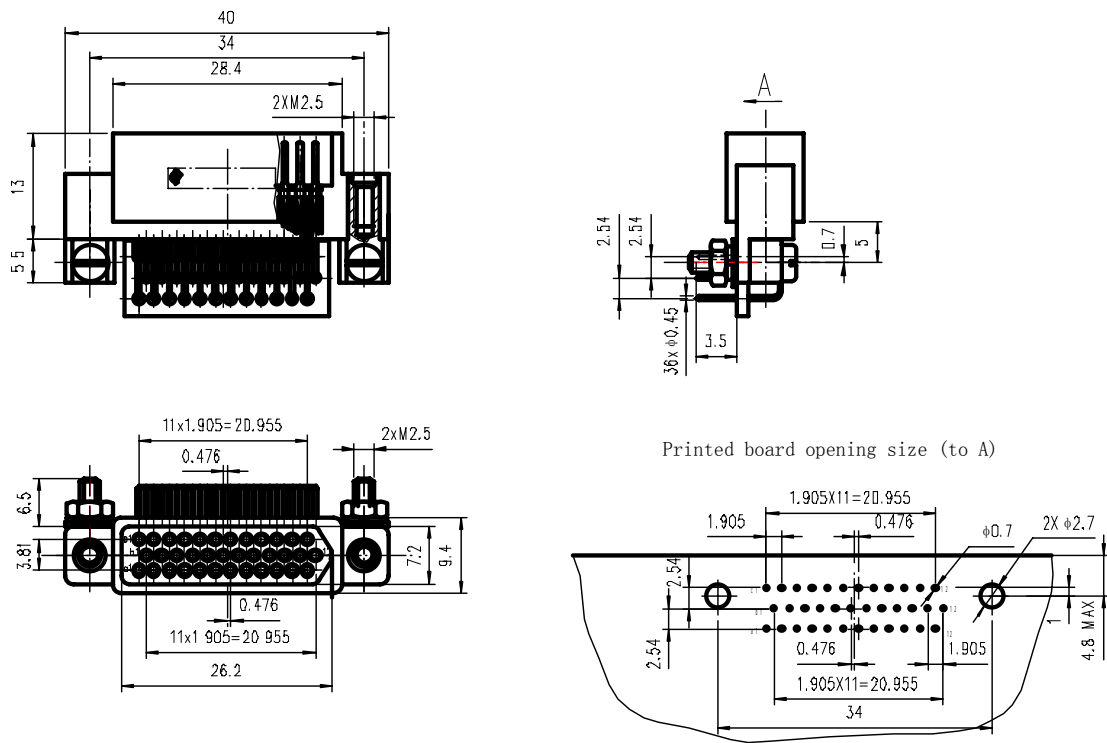


| model | A | B | N | M |
|-------------|------|------|----|--------|
| EA55P36WJ01 | 40.0 | 34.0 | 11 | 20.955 |
| EA55P48WJ01 | 47.6 | 41.6 | 15 | 28.575 |
| EA55P96WJ01 | 80.0 | 73.6 | 31 | 59.055 |

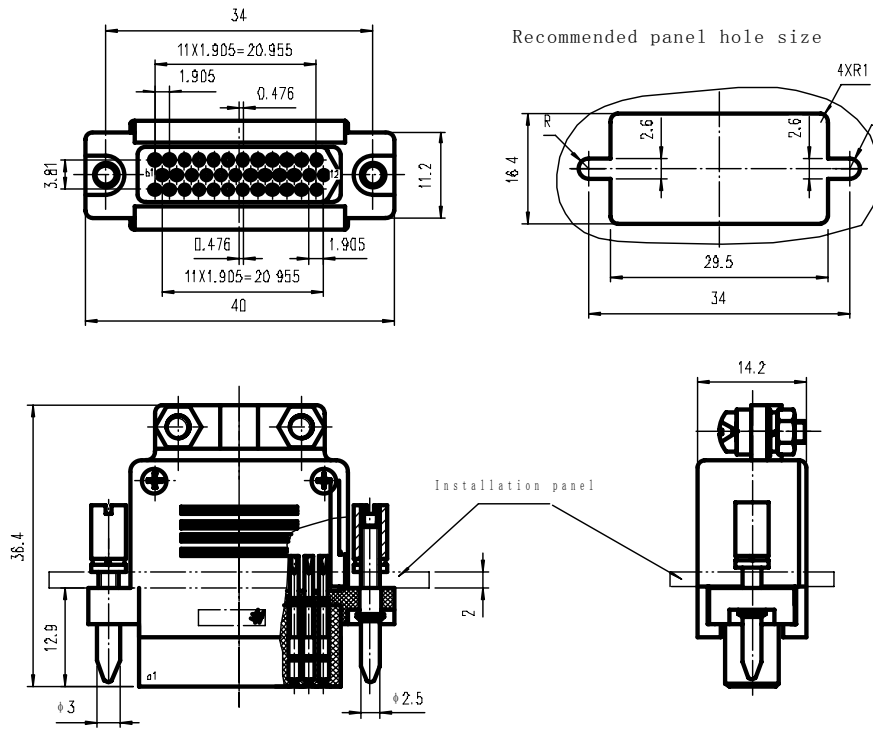
plug EA55S36HJ02



socket EA55P36WJ02

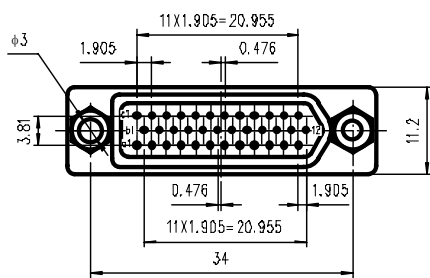
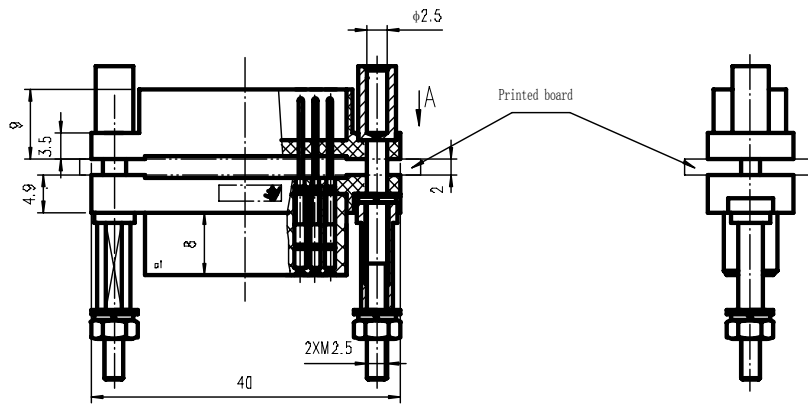


plug EA55S36HJ03

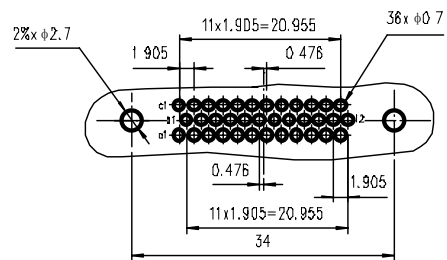


* Welded cup diameter $\Phi 0.7$

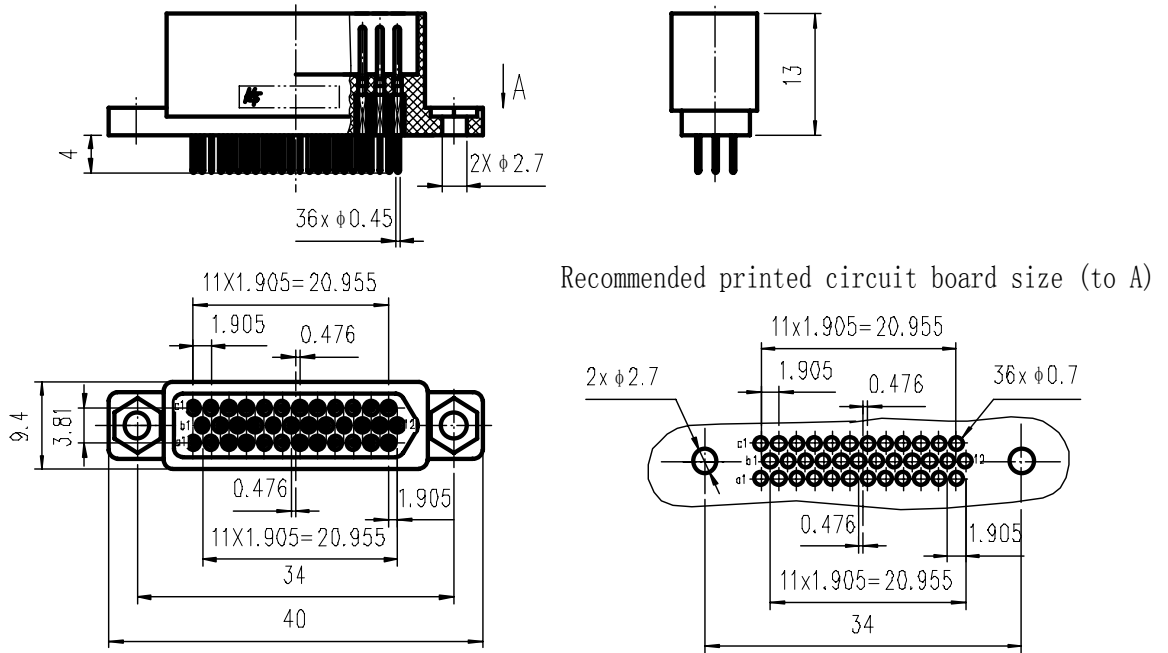
Transfer socket EA55LZ36-03



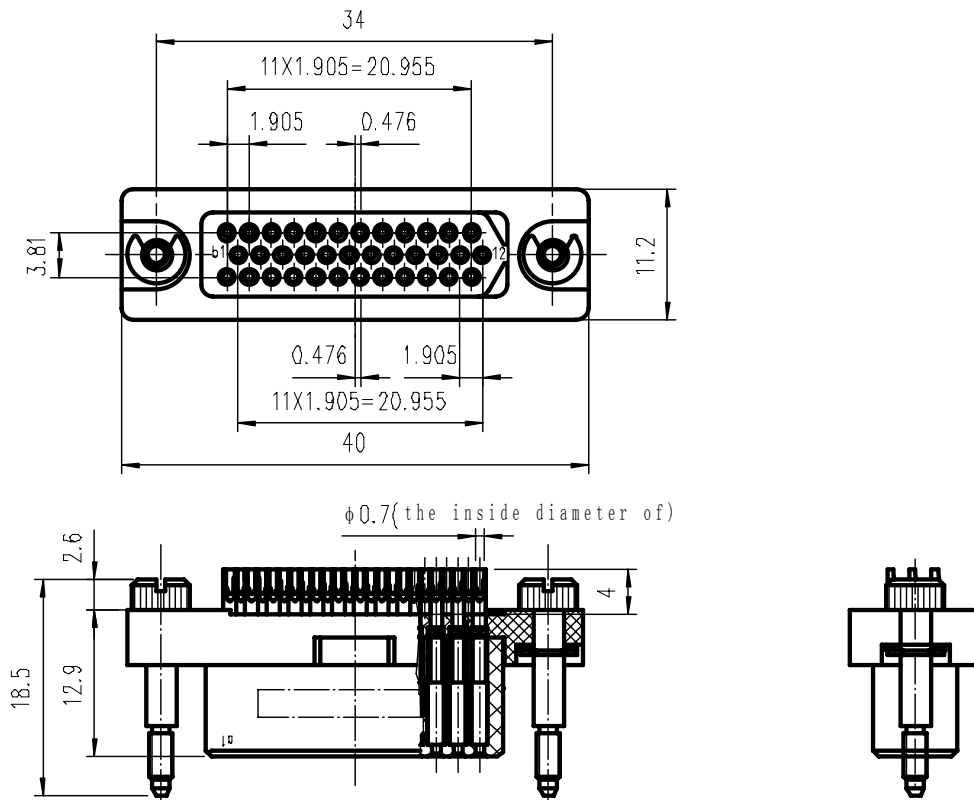
Recommended printed circuit board size (to A)



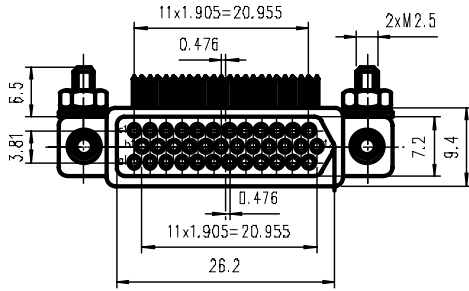
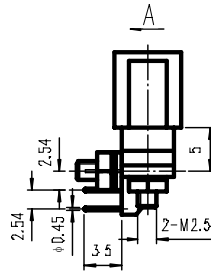
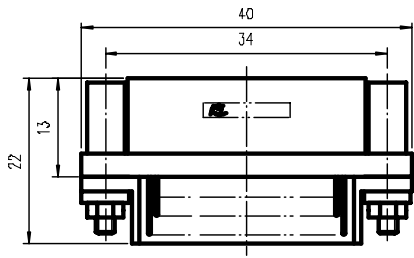
socket EA55P36BJ03



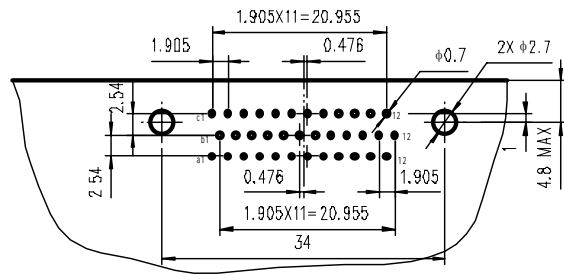
plug EA55S36HJ04



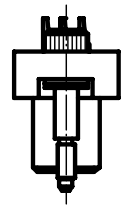
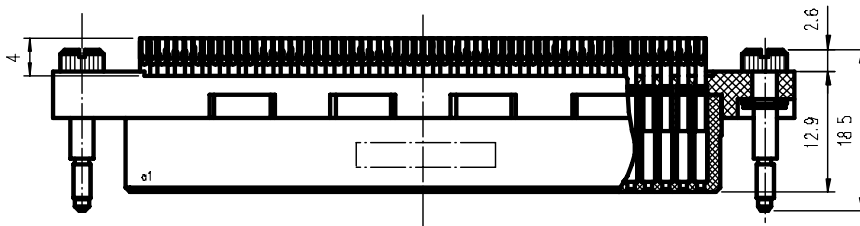
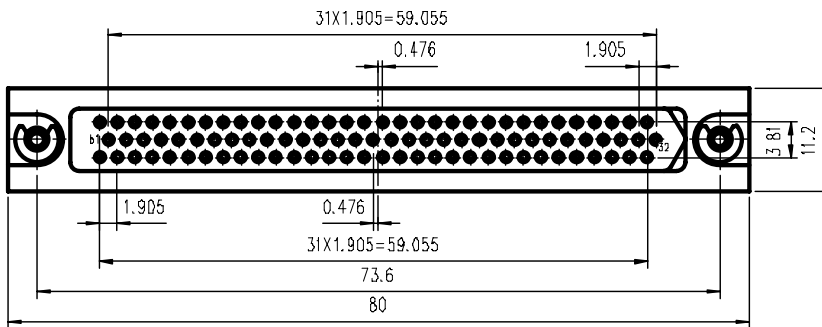
socket EA55P36WJ04



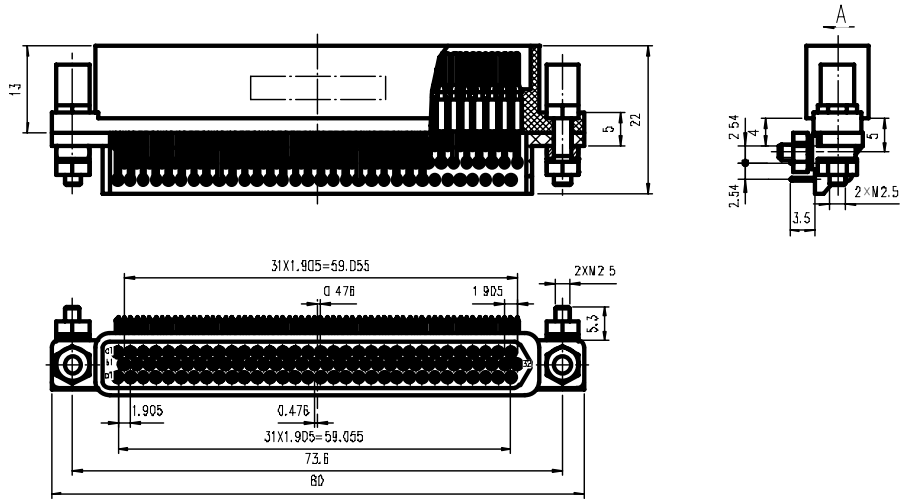
Recommended printed circuit board size (to A)



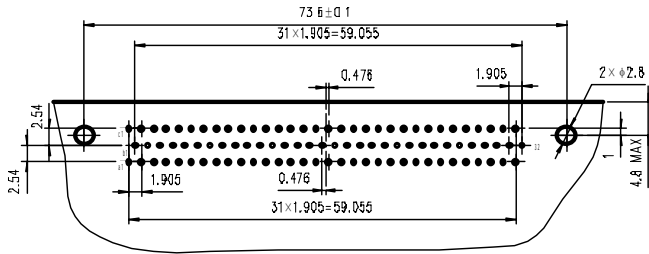
plug EA55S96HJ04



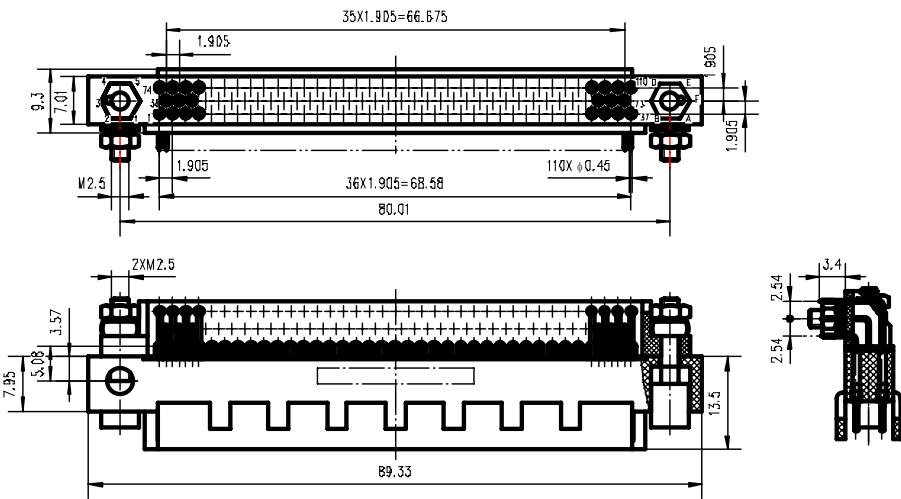
socket EA55P96WJ04



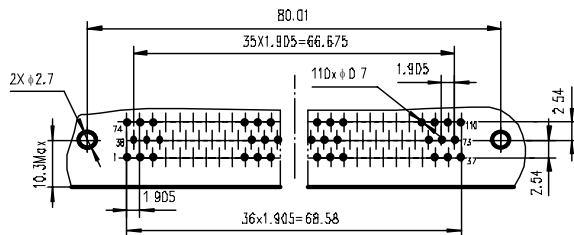
Recommended printed circuit board size (to A)



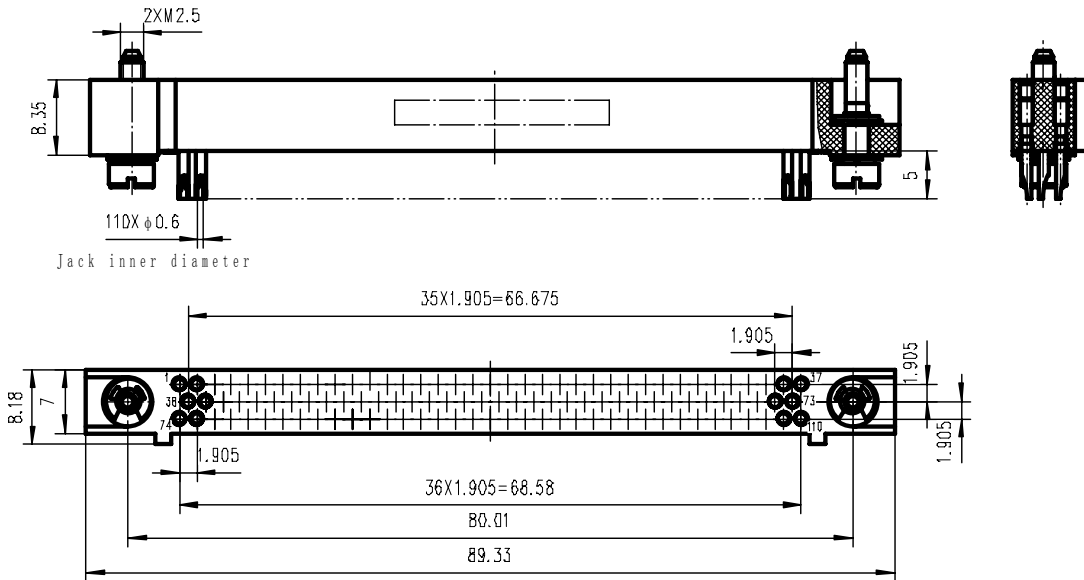
plug EA55T110WJ04



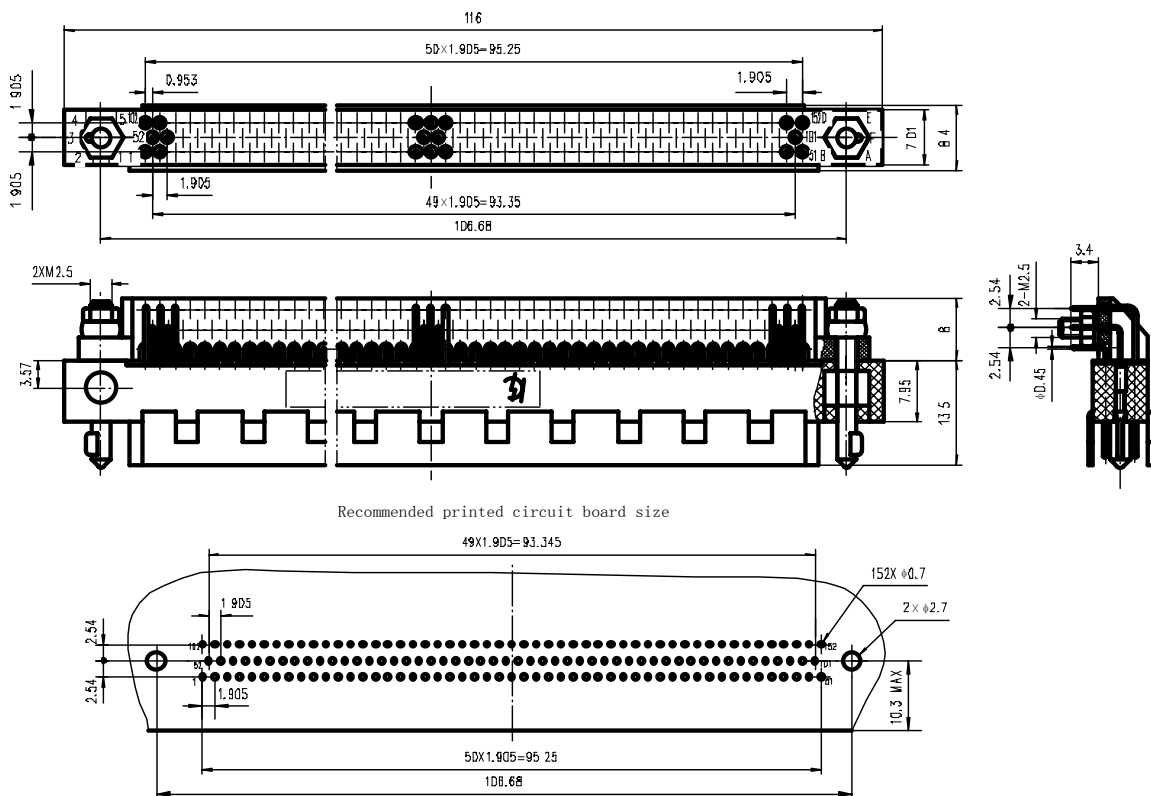
Recommended printed circuit board size



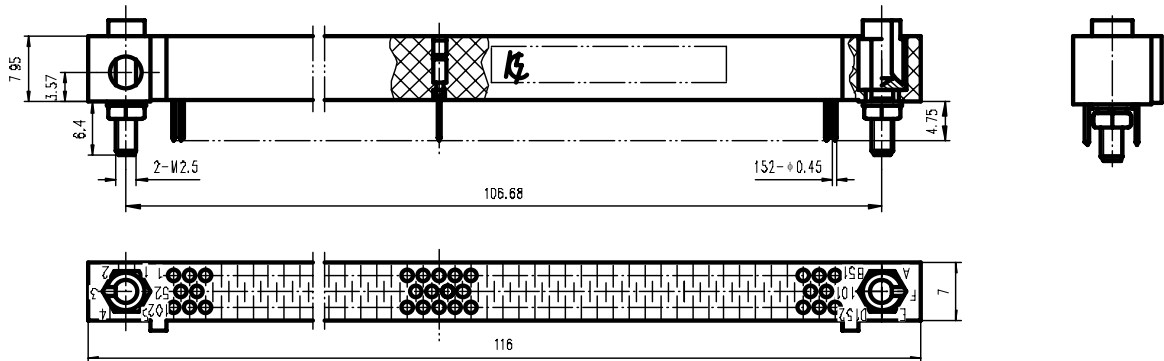
socket EA55Z110HJ04



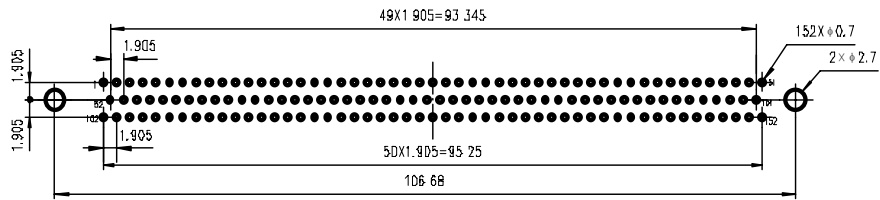
plug CY33T152WJ



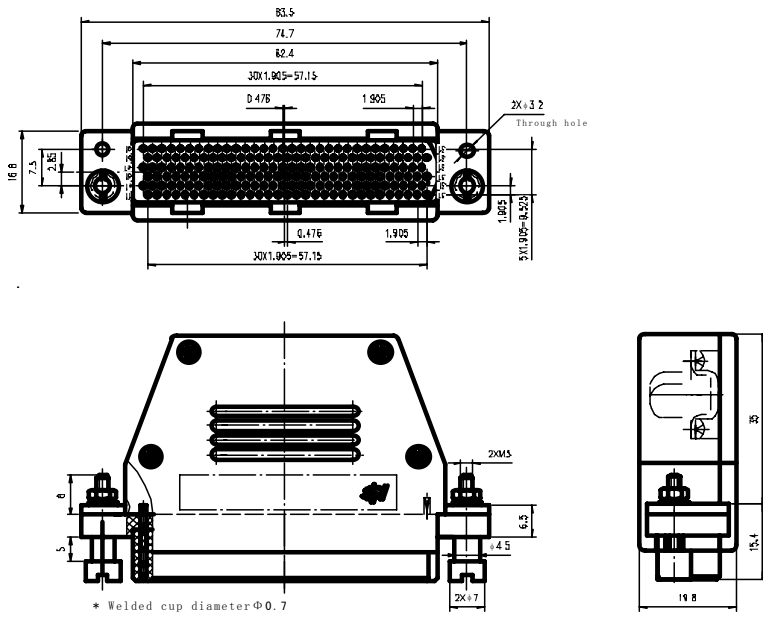
socket EA55Z152BJ



Recommended printed circuit board size

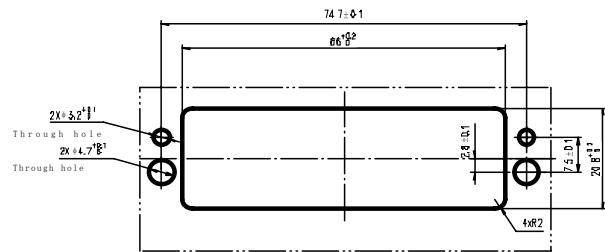


plug EA55S186HJA02、EA55S186HJA05

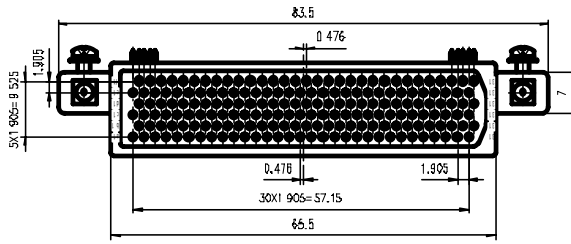
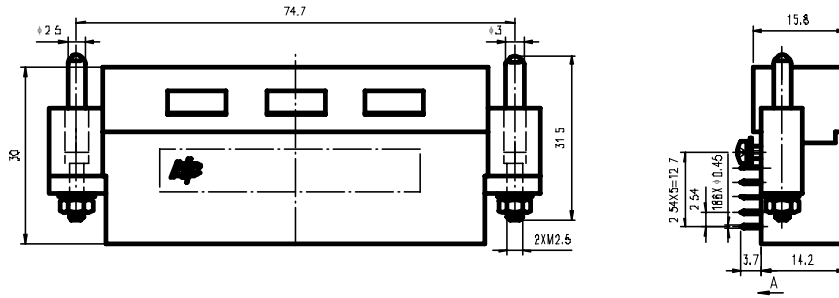


Note:
 Figure EA553S1 86H JA02, outlet on the right side of the cable clamp (from the mark side);
 EA55S1 86H JA0 5 In contrast, the outlet is on the left side of the cable clamp.

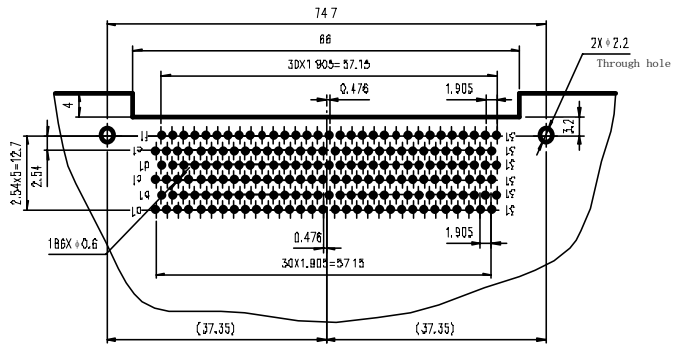
Recommended panel hole size
 (Panel thickness ≤ 3mm)



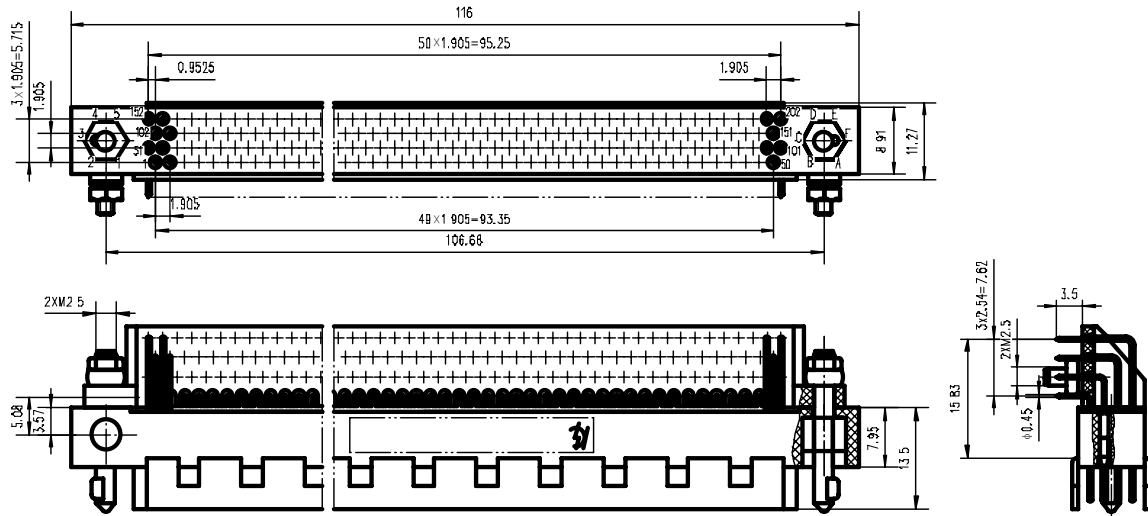
socket EA55P186WJ02



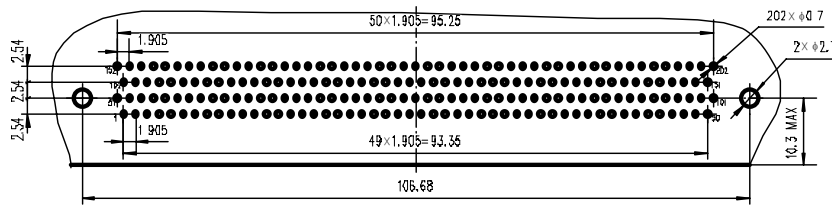
Recommended printed circuit board size (to A)



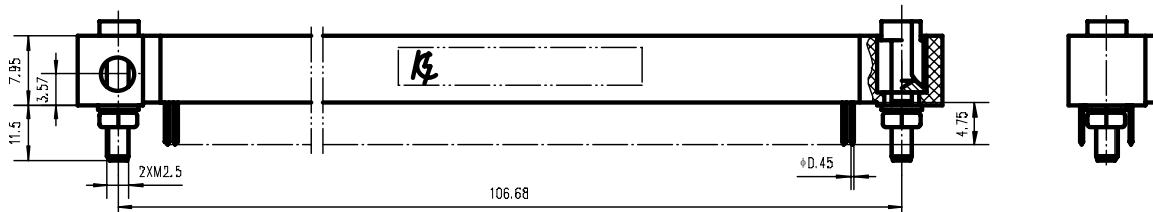
plug EA55T202WJ



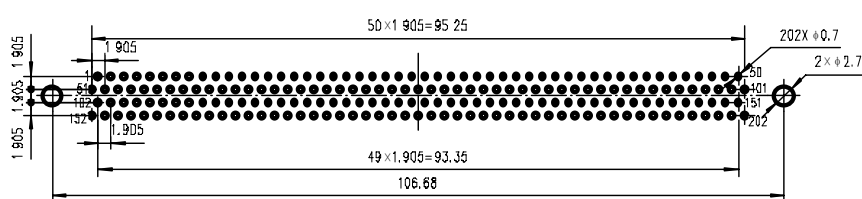
Recommended printed circuit board size



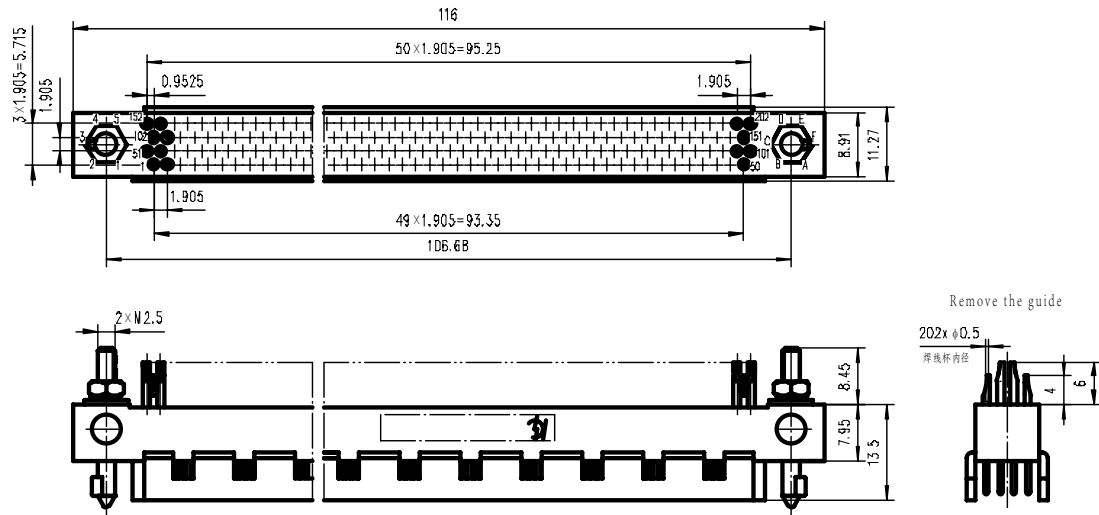
socket EA55Z202BJ



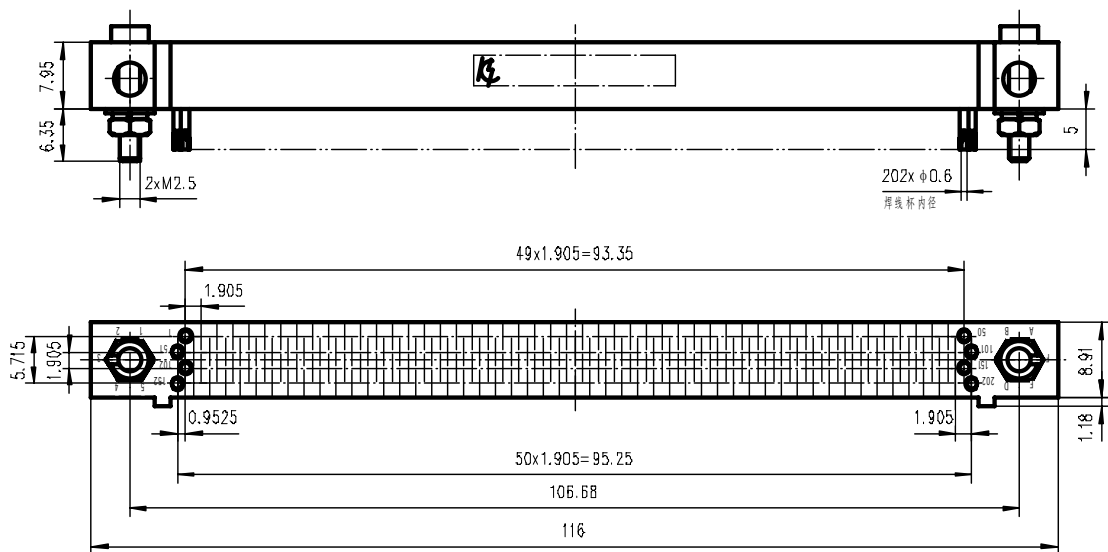
Recommended printed circuit board size



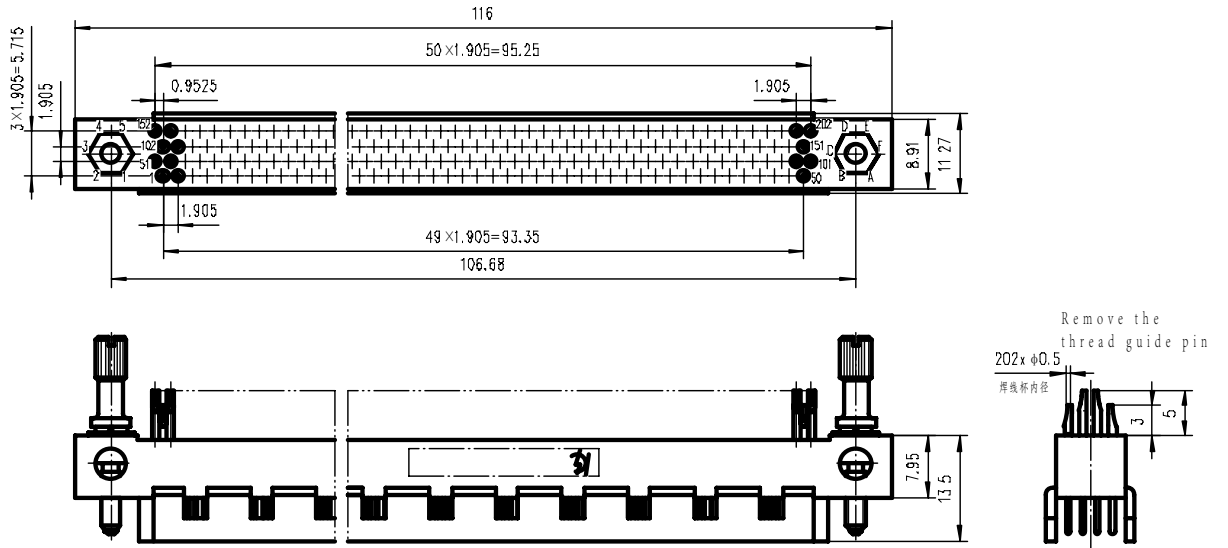
plug EA55T202HJ



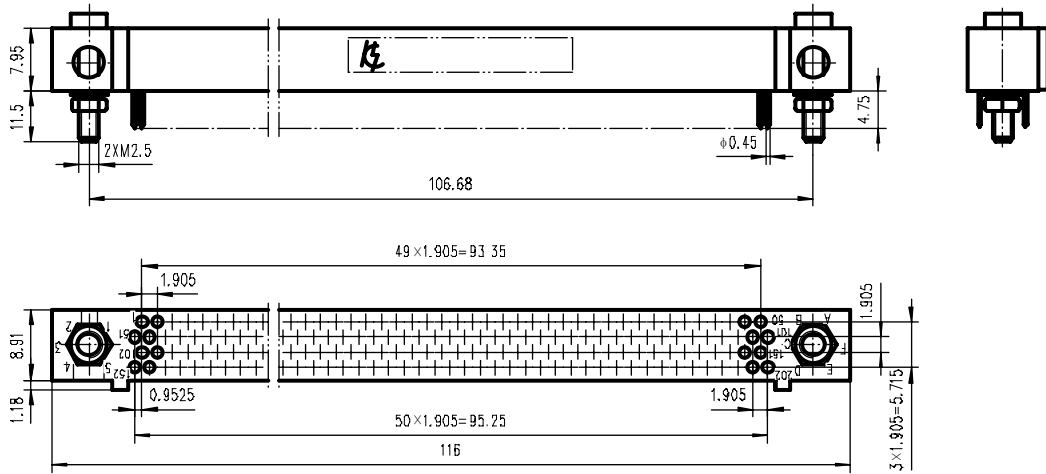
socket EA55Z202HJ



plug EA55T202HJ02

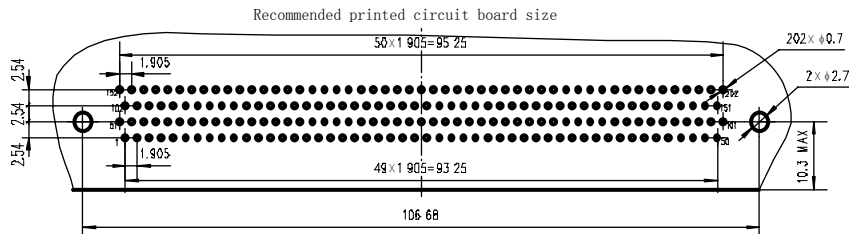
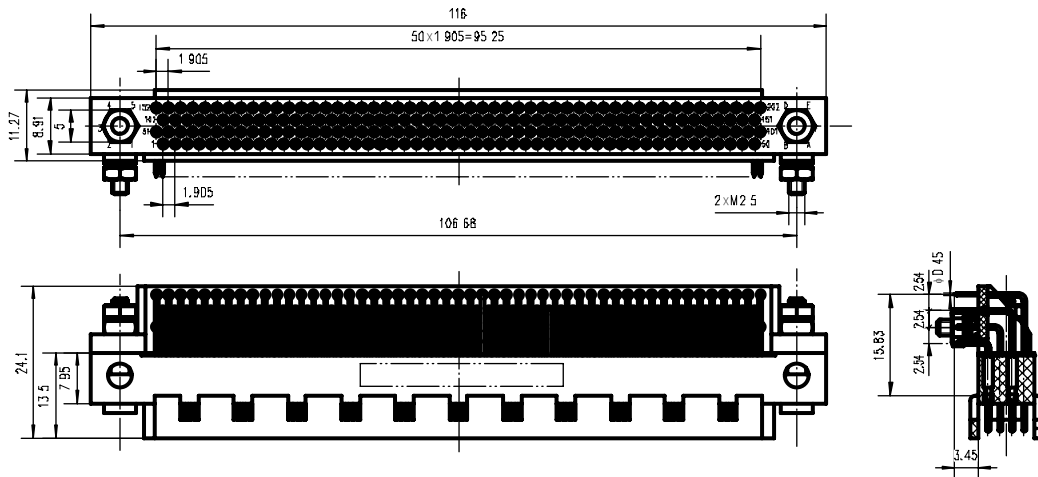


socket EA55Z202BJ02



Head with thread guide pin guide sleeve, plug can be achieved after locking.

plug EA55T202WJ04



socket EA55Z202HJ04

