

EA51 series electric connectors

Product Introduction

- Hyperboloid wire spring socket
- Refer to the general specification of MIL-C-55302
- 2.54mm standard grid gap
- Termination form: PCB dip soldering
- Anti-mis-mating guide pin, guide bushing can provide 8×8=64 kinds of identification
- Application range: printed circuit connection
- Execution enterprise standard: 21E0.204.036JT

Main technical performance

- Contacts diameter: $\Phi 0.76$
- Contact resistance: $\leq 10m\Omega$
- Current rating: 3A
- Voltage rating: 250V (DC or 50Hz AC effective value)
- Withstand voltage: 1000 V
- Insulation resistance: normal temperature $\geq 1000M\Omega$, damp heat $\geq 20M\Omega$
- Vibration: frequency 10~2000Hz, PSD(power spectral density): $0.09g^2/Hz$
- Shock: $200m/s^2$
- Operating temperature: $-55^{\circ}C \sim +125^{\circ}C$, 95%
- Salt spray: 48h
- Endurance: 1000 cycles

Ordering Information

EA 51 I 30 W J
 1 2 3 4 5 6

1 Basic series: PCB electrical connectors

2 Serial number: 41

3 Structure type: Z- Receptacle (installed with socket) T-plug (installed with pin)

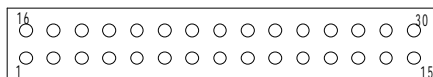
4 Contacts number: 30、50、60、80、100

5 Terminating form: B-straight dip soldering, W- elbow dip soldering

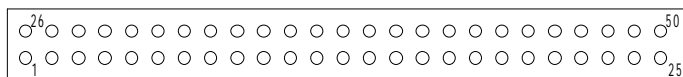
6 Contacts plating: J-gold plating, no marking-silver plating

Contact layout (front face of pin inserts illustrated)

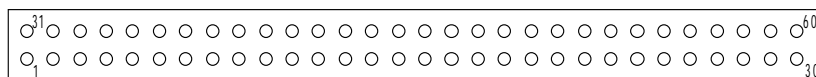
30 cores



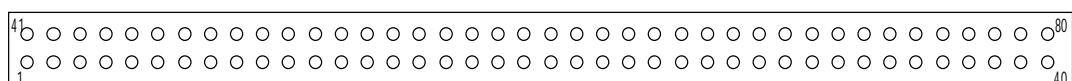
50 cores



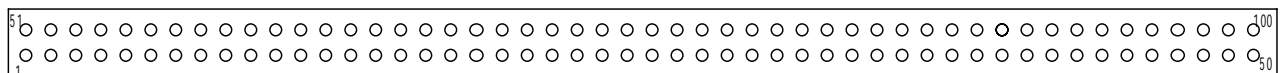
60 cores



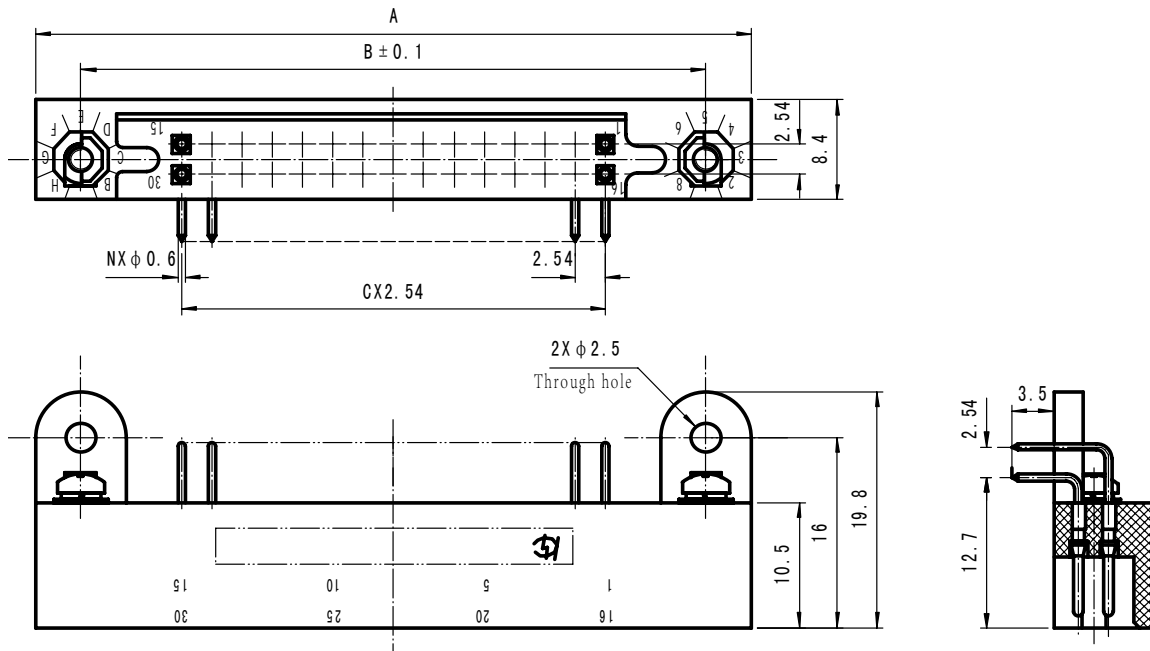
80 cores



100 cores



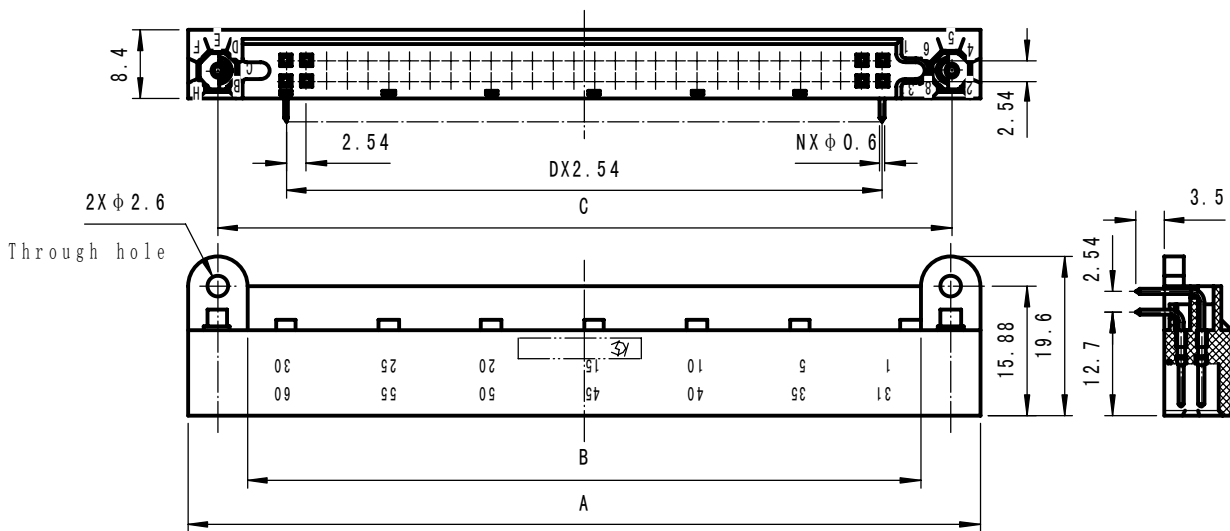
Outline dimensions
Plug EA51T30WJ EA51T50WJ



Take the EA51T30WJ for example

Type	Corresponding GJB type	A	B	C	N
EA51T30WJ	J1438/110-10	60.1	52.45	14	30
EA51T50WJ	J1438/110-12	85.5	77.85	24	50

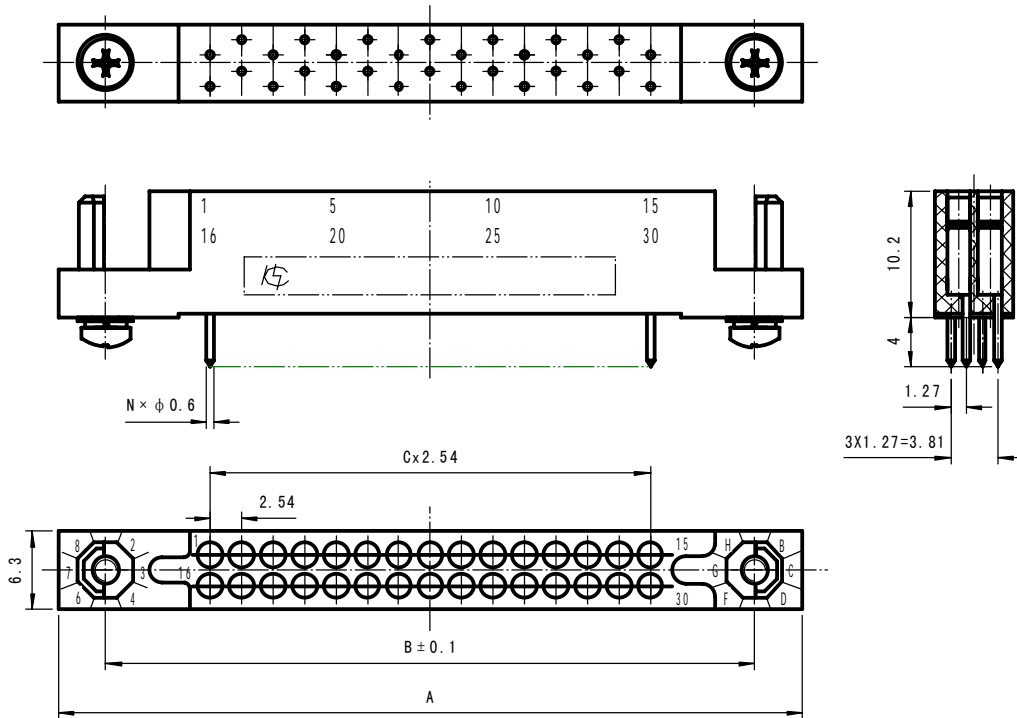
Plug EA51T60WJ EA51T80WJ EA51T100WJ



Take the EA51T60WJ for example

Type	Corresponding GJB type	A	B	C	D	N
EA51T60WJ	J1438/110-13	97.9	83.2	90.55	29	60
EA51T80WJ	J1438/110-15	123.3	108.6	115.95	39	80
EA51T100WJ	J1438/110-17	148.7	134	141.35	49	100

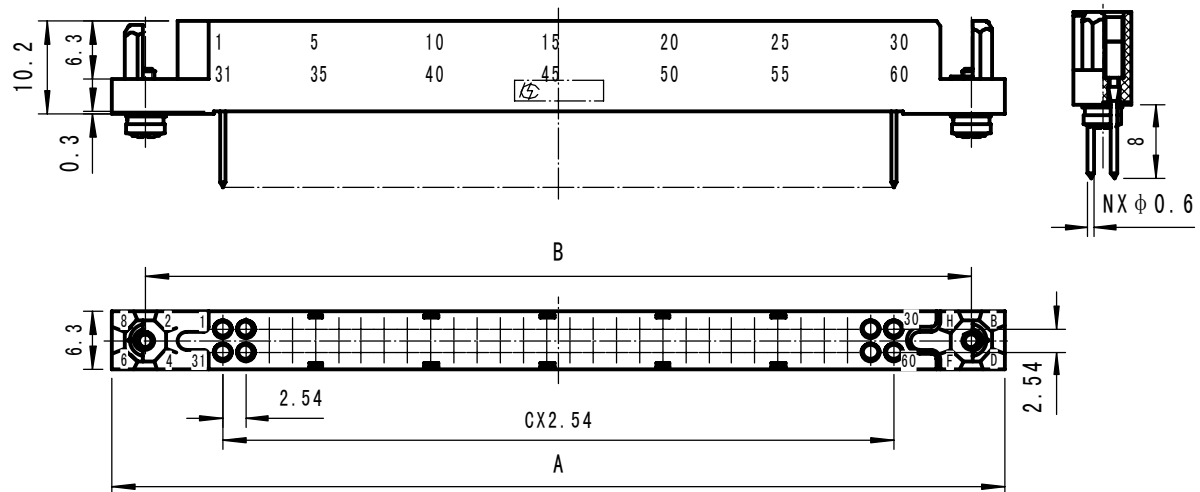
Receptacle EA51Z30BJ EA51Z50BJ



Take the EA51Z30BJ for example

Type	Corresponding GJB type	A	B	C	N
EA51Z30BJ	J1438/27-91	60.1	52.45	14	30
EA51Z50BJ	J1438/27-93	85.5	77.85	24	50

Receptacle **EA51Z60BJ EA51Z80BJ EA51Z100BJ**



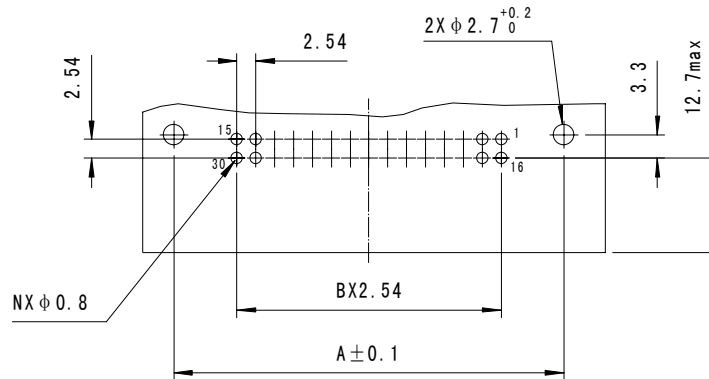
Take the EA39Z60BJ for example

Type	Corresponding GJB type	A	B	C	N
EA51Z60BJ	J1438/27-112	97.9	90.55	29	60
EA51Z80BJ	J1438/27-114	123.3	115.95	39	80
EA51Z100BJ	J1438/27-116	148.7	141.35	49	100

■ Recommended PCB cut-size

Recommended plug PCB cut-out dimensions

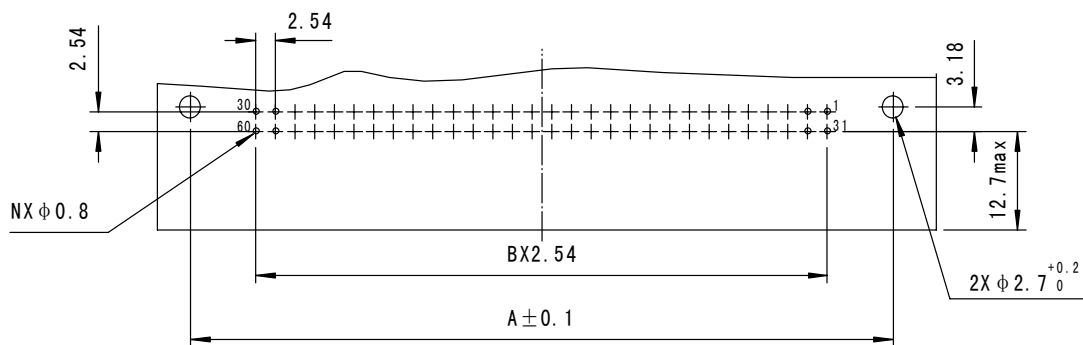
EA51T30WJ EA51T50WJ recommended PCB cut- out dimensions



● The graphical representation takes the EA51T30WJ for example

Type	Corresponding GJB type	A	B	N
EA51T30WJ	J1438/110-10	52.45	14	30
EA51T50WJ	J1438/110-12	77.85	24	50

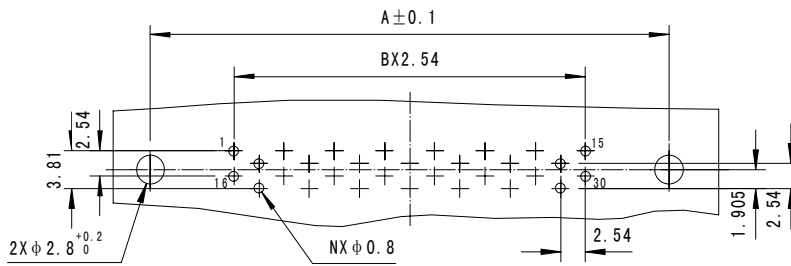
EA51T60WJ EA51T80WJ EA51T100WJ recommended PCB cut- out dimensions



● The graphical representation takes the EA51T60WJ for example

Type	Corresponding GJB type	A	B	N
EA51T60WJ	J1438/110-13	90.55	29	60
EA51T80WJ	J1438/110-15	115.95	39	80
EA51T100WJ	J1438/110-17	141.35	49	100

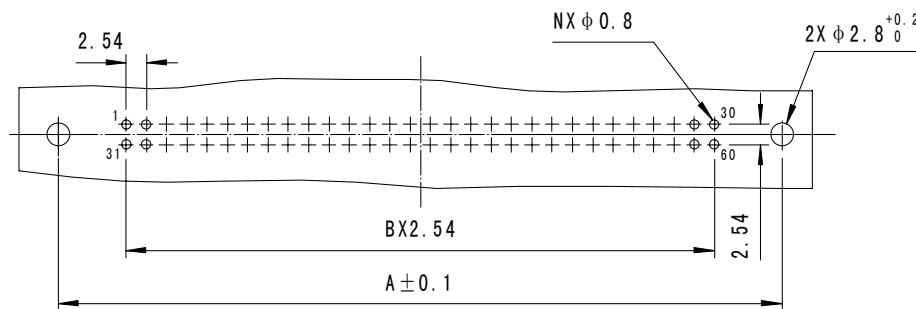
Recommended receptacle PCB cut-size
EA51Z30BJ EA51Z50BJ recommended PCB cut- out dimensions



● The graphical representation takes the EA51Z30BJ for example

Type	Corresponding GJB type	A	B	N
EA51Z30BJ	J1438/27-91	52.45	14	30
EA51Z50BJ	J1438/27-93	77.85	24	50

EA51Z60BJ EA51Z80BJ EA51Z100BJ recommended PCB cut- out dimensions



● The graphical representation takes the EA51Z60BJ for example

Type	Corresponding GJB type	A	B	N
EA51Z60BJ	J1438/27-112	90.55	29	60
EA51Z80BJ	J1438/27-114	115.95	39	80
EA51Z100BJ	J1438/27-116	141.35	49	100