

EA49 series electric connectors

Product Introduction

- Comply with GJB1438/4-2002
- Hyperboloid wire spring socket
- 2.54mm standard grid gap
- Refer to the general specification of MIL-C-55302
- Termination form: PCB dip soldering, soldering etc
- Screw thread guide pin, guide bushing with locking function
- Fixed form: riveting, screw-thread fastening
- Execution enterprise standard: 21E0.204.036JT

Main technical performance

—Contact resistance, current rating of contacts

Contacts dia. (mm)	Contact resistance (Ω)	Current rating (A)
$\Phi 0.635$	≤ 0.025	1
$\Phi 0.76$	≤ 0.0125	2

—Voltage rating: 250V

—Withstand voltage: Normal temperature 1500V, damp heat 750V

—Insulation resistance: normal temperature $\geq 1000M\Omega$, damp heat $\geq 20M\Omega$

—Operating temp: $-55^{\circ}C \sim +125^{\circ}C$

—Relative humidity (RH): $40^{\circ}C$, 95%

—Vibration: frequency 10~2000Hz, acceleration $147m/s^2$

—Shock: Acceleration $294m/s^2$

—Endurance: 1000 cycles

Ordering Information

No.	Classify Characteristics	Classify contents	Mark
1	Basic series	PCB electrical connectors series 27	EA49
2	Remodel mark	A	adapting function
		B	Groove receptacle
		E	$\Phi 0.635$ contacts
3	Structure type	Plug installed with pin	T
		Receptacle installed with socket	Z
4	Number of contacts	6、8、10、14、26...	marked number
5	Terminating form	PCB dip soldering straight	B
		PCB dip soldering elbow	W
		Wire soldering	H
6	Plating	gold plating	J

Note: Please see the specific types in EA49 plug, receptacle mating correlation chart. If there is any special demand, please contact with our company.

[Type marking example]

Contacts number: 44, plug installed with pin, termination form: dip soldering straight; receptacle installed with socket, termination form: dip soldering straight, pin and socket with gold plating, type of the plug: EA49T44 BJ, type of the receptacle: EA49Z44BJ, type of the electrical connector: EA49Z44 BJ/ BJ.

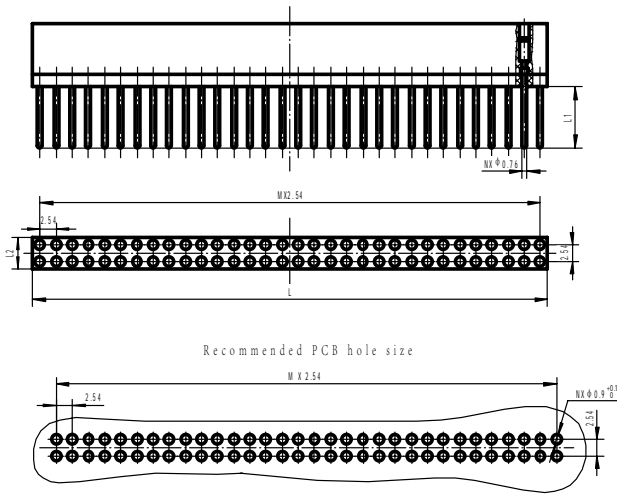
EA49 plug, receptacle mating correlation chart

No.	Type of the plug	Type of the mating receptacle
1	EA49ET2BJ	EA49EZ2BJ
2	EA49ET3BJ	EA49EZ3BJ
3	EA49AT4BJ-02	EA49AZ4BmJ
4	EA49AT5BJ-02	EA49AZ5BmJ
5	EA49T6B2J	EA49Z6BJ
6	EA49AT6BJ-02	EA49AZ6BJ
7	EA49T8HJ	EA49Z8B1J
		EA49Z8B2J
		EA49CZ8WJ
8	EA49T8BJ	EA49Z8B1J
		EA49Z8B2J
		EA49CZ8WJ
9	EA49AT8BJ-02	EA49AZ8BmJ
10	EA49T10HJ	EA49Z10B1J
		EA49Z10B2J
		EA49BZ10BJ
11	EA49T10BJ	EA49Z10B1J
		EA49Z10B2J
		EA49BZ10BJ
12	EA49AT10BJ-02	EA49AZ10BmJ
13	EA49AT12BJ-02	EA49AZ12BmJ
14	EA49AT20BJ-02	EA49AZ20BmJ
15	EA49AT24BJ-02	EA49AZ24BmJ
16	EA49AT26BJ	EA49AZ26BmJ
17	EA49AT26BJ-02	EA49AZ26BmJ
18	EA49AT40BJ	EA49AZ40BJ
		EA49AZ40BJ-01
		EA49AZ40BmJ
19	EA49AT40HJS	EA49AZ40BJS-01
20	EA49AT40BJ-02	EA49AZ40BmJ
21	EA49T44BJ	EA49Z44B1J
		EA49Z44B2J
22	EA49AT64BJ-02	EA49AZ64BmJ
23	EA49AT72HJS	EA49AZ72BJS-01
24	EA49AT80BJ	EA49AZ80BmJ
25	EA49AT82BJ-02	EA49AZ82BmJ

Note: EA49AZ14BJ, EA49AZ16BJ, EA49AZ18BJ, EA49AZ30BJ, EA49AZ72BJ etc. Adapting receptacle is available

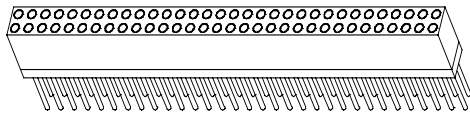
Outline dimensions

EA49 adapting receptacle



Type of receptacle	L	L2	M
EA49AZ4BmJ	10.16	2.54	3
EA49AZ5BmJ	12.7	2.54	4
EA49AZ6BmJ	7.62	5.08	2
EA49AZ8BmJ	10.16	5.08	3
EA49AZ10BmJ	12.7	5.08	4
EA49AZ12BmJ	15.24	5.08	5
EA49AZ14BmJ	17.78	5.08	6
EA49AZ16BmJ	20.32	5.08	7
EA49AZ18BmJ	22.86	5.08	8
EA49AZ20BmJ	25.4	5.08	9
EA49AZ24BmJ	30.48	5.08	11
EA49AZ26BmJ	33.02	5.08	12
EA49AZ30BmJ	38.1	5.08	14
EA49AZ40BmJ	50.8	5.08	19
EA49AZ64BmJ	81.3	5.08	31
EA49AZ72BmJ	91.45	5.08	35
EA49AZ80BmJ	101.6	5.08	39
EA49AZ82BmJ	104.14	5.08	40

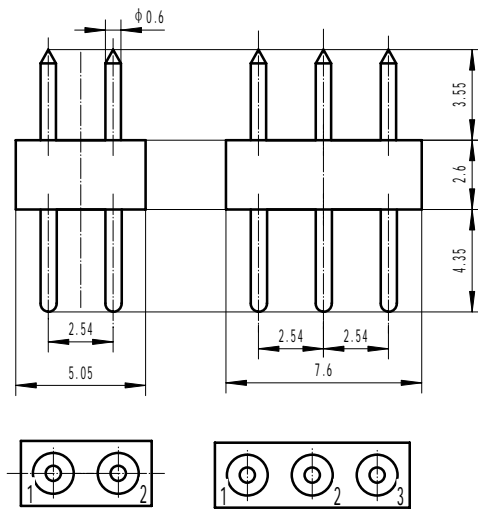
EA49AZnBmJ



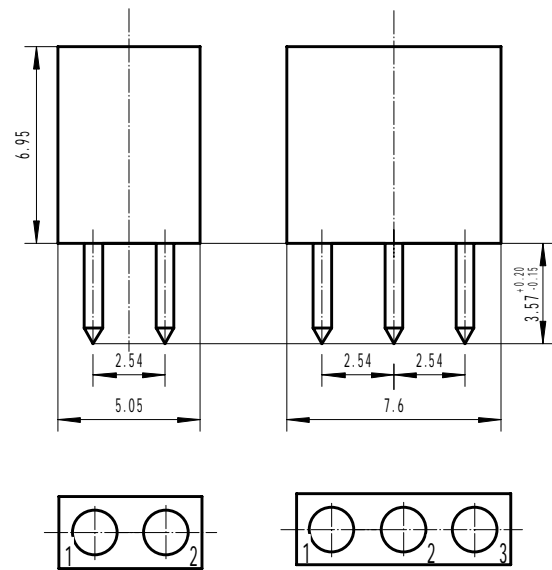
Type of receptacle	L1
EA49AZnB1J	1.0
EA49AZnB2J	5.5
EA49AZnB3J	7.5
EA49AZnB4J	8.5
EA49AZnB5J	9.2
EA49AZnB6J	14.0
EA49AZnB7J	12.5
EA49AZnB8J	4

Note: 4 cores, 5 cores single row
Contact specification $\Phi 0.635$

Plug EA49ET2(3)BJ

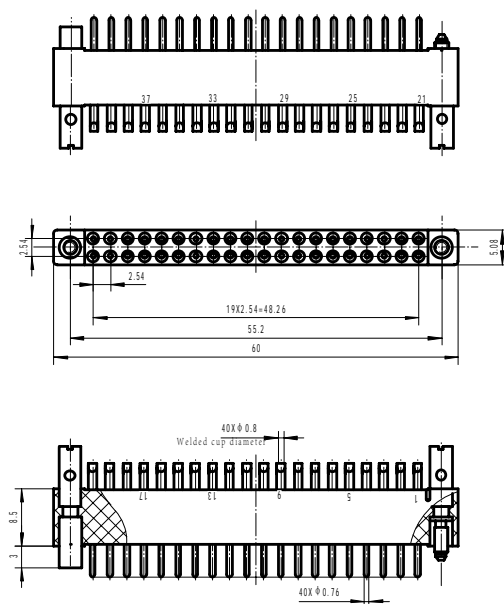


Receptacle EA49EZ2(3)BJ

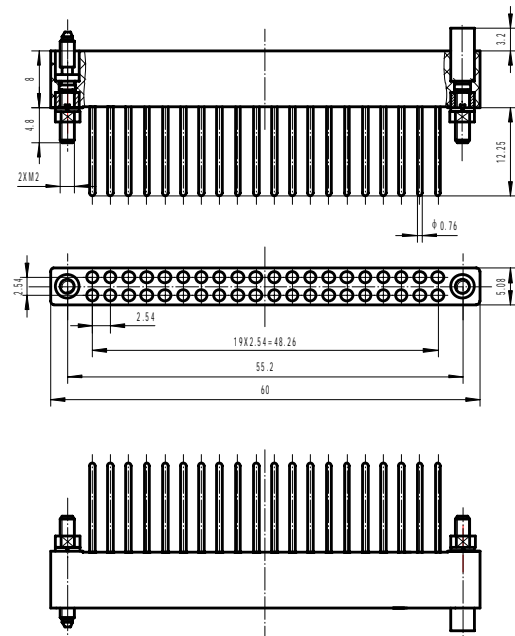


EA49 plug, receptacle with locking function]

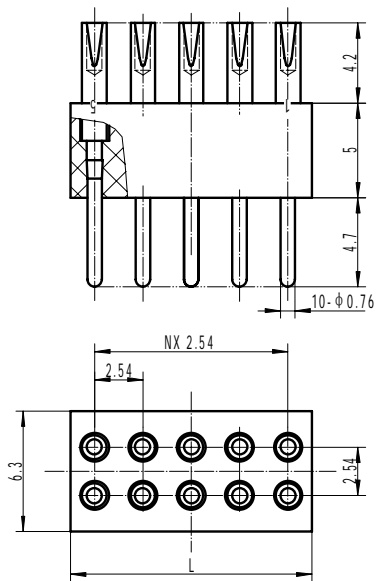
Plug EA49AT40HJS



Receptacle EA49AZ40BJS-01

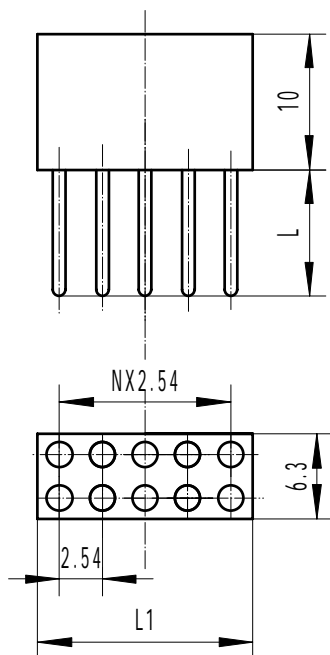


Plug EA49TnHJ



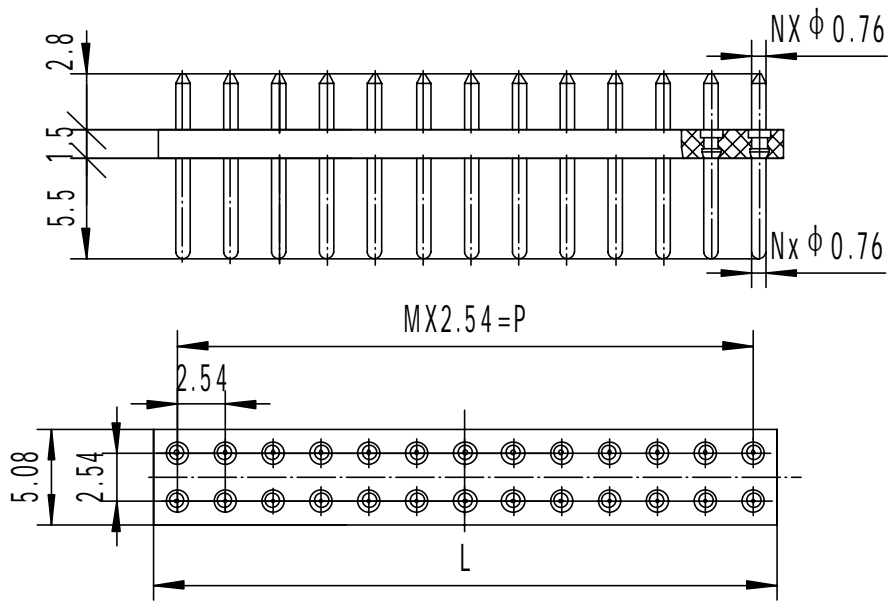
Type	N	L
EA49T8HJ	3	10.16
EA49T10HJ	4	12.7

Receptacle EA49ZnBJ



Type	L	L1	N
EA49Z8B1J	3.2	10.16	3
EA49Z8B2J	12.7	10.16	3
EA49Z10B1J	3.2	12.7	4
EA49Z10B2J	12.7	12.7	4

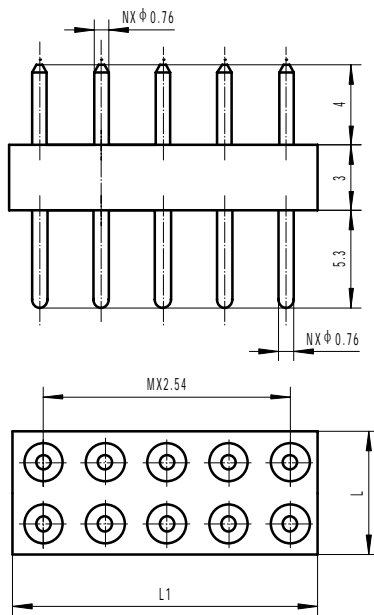
Plug EA49ATnBJ



model	L	P	M	N
EA 497 AT 26 BJ	33.02	30.48	12	26
EA 497 AT 40 BJ	50.8	48.26	19	40

EA49 adpating plug

Switching plug EA49AT-02



Type	L	L1	M
EA49AT4BJ-02	2.54	10.16	3
EA49AT5BJ-02	2.54	12.7	4
EA49AT6BJ-02	5.08	7.62	2
EA49AT8BJ-02	5.08	10.16	3
EA49AT10BJ-02	5.08	12.7	4
EA49AT12BJ-02	5.08	15.24	5
EA49AT20BJ-02	5.08	25.4	9
EA49AT24BJ-02	5.08	30.48	11
EA49AT26BJ-02	5.08	33.02	12
EA49AT40BJ-02	5.08	50.8	19
EA49AT64BJ-02	5.08	81.28	31
EA49AT82BJ-02	5.08	104.14	40

Note: 4 cores, 5 cores single row