

## EA33, EA46 Series Rectangular Electrical Connectors

### Brief introduction

- Plug and receptacle with guiding pins and sockets for anti-mismating
- Types of termination: soldering and PCB soldering
- Hyperboloid wire spring socket with low contact resistance
- Vibration and shock resistant
- Applied in electrical connection between train and signal control boxes.
- Standard: Q/21EJ210

### Main technical characteristics

#### [Mechanical characteristics]

- vibration: 10~2000Hz, acceleration 147m/s<sup>2</sup>
- shock: acceleration 294m/s<sup>2</sup>
- durability: 1000 cycles

#### [Electrical characteristics]

- contact size:  $\Phi 1.5\text{mm}$
- Rated current: 10A
- contact resistance:  $\leq 2.5\text{m}\Omega$
- rated voltage: 250V
- withstanding voltage: 1500V
- Insulation resistance: normal temperature  $\geq 500\text{ M}\Omega$ ; heat and damp  $\geq 20\text{M}\Omega$

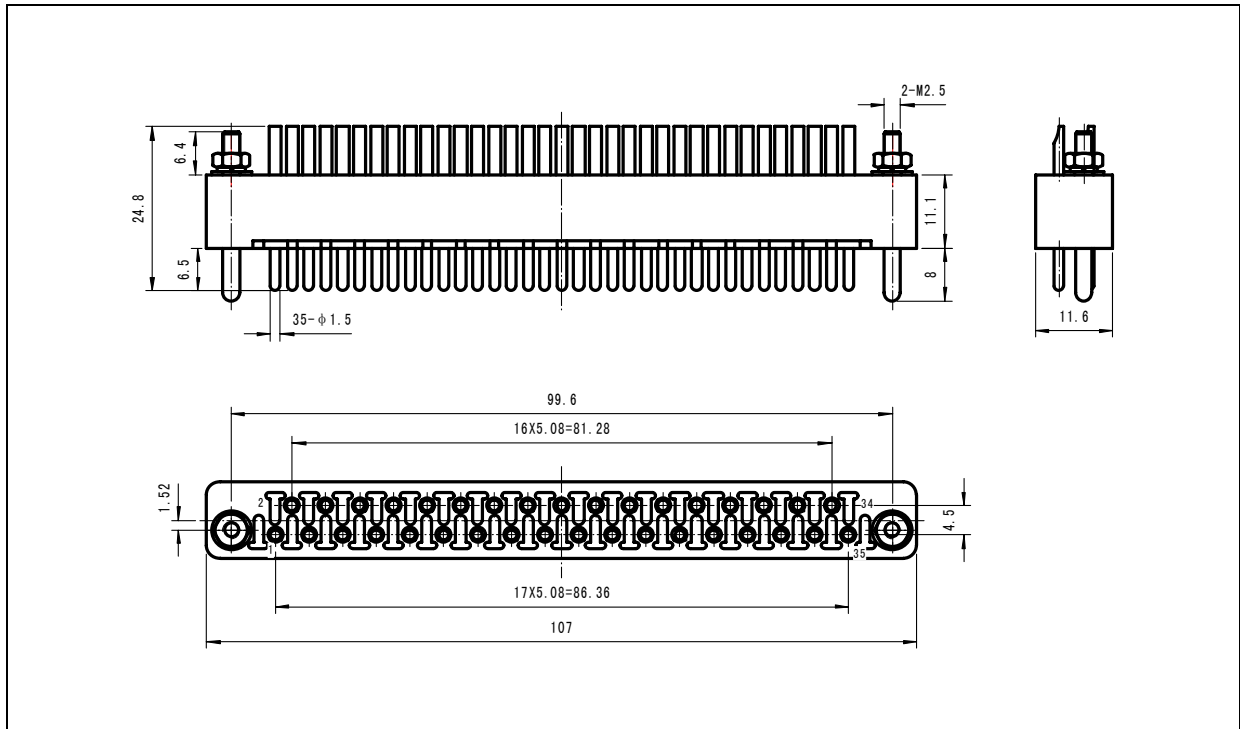
#### [Environmental characteristics]

- Operation temperature: -55~+125°C
- RH: 95%, at 40°C

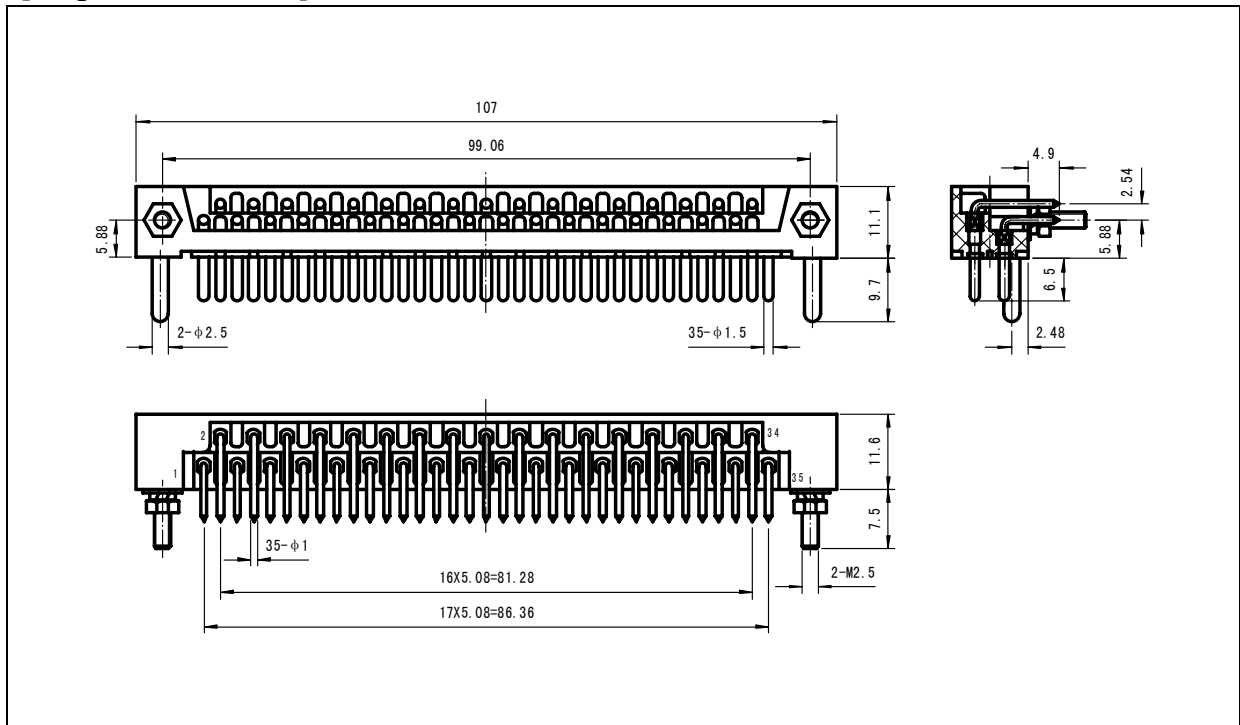
### Designation

Series	EA33, EA46	EA33	T	35	W	J	-01
<b>Product type</b>	T—plug (with pins); Z—receptacle (with sockets)						
<b>Contact No.</b>	EA33 series: 35 EA46 series: 29, 45						
<b>Termination type</b>	H—soldering; B—straight PCB soldering; W—right angle PCB soldering						
<b>Contact plating</b>	- —gold plating						
<b>Modification code</b>	-01						

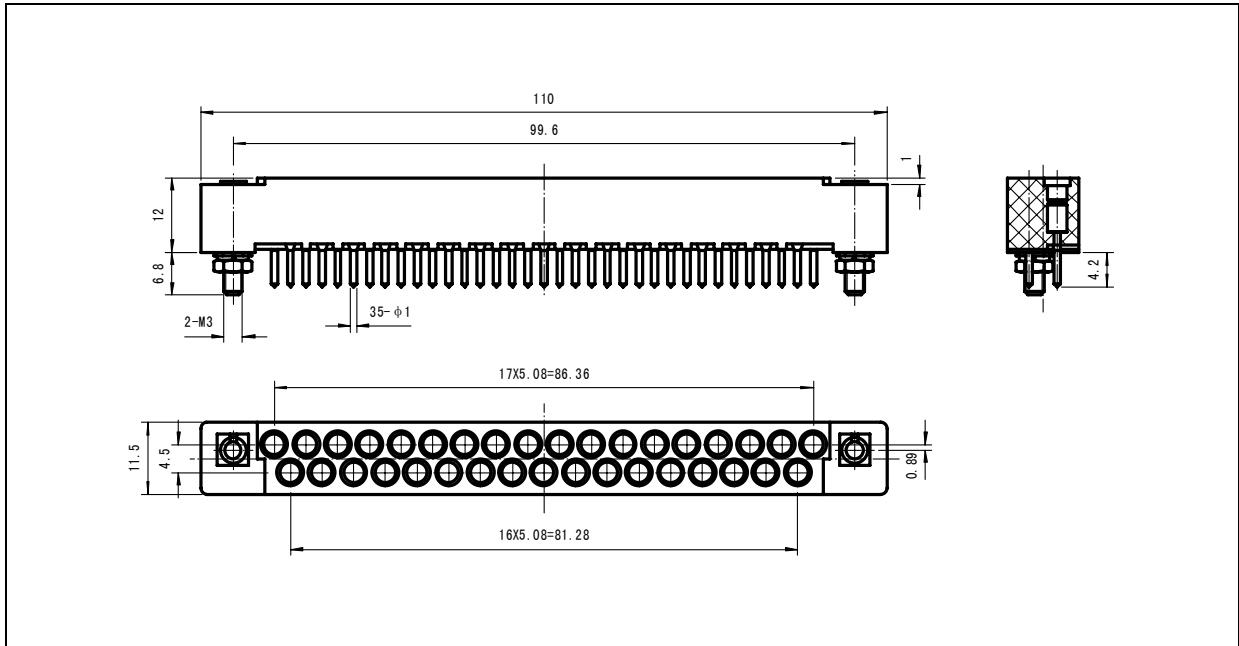
Outline dimensions [Plug EA33T35HJ]



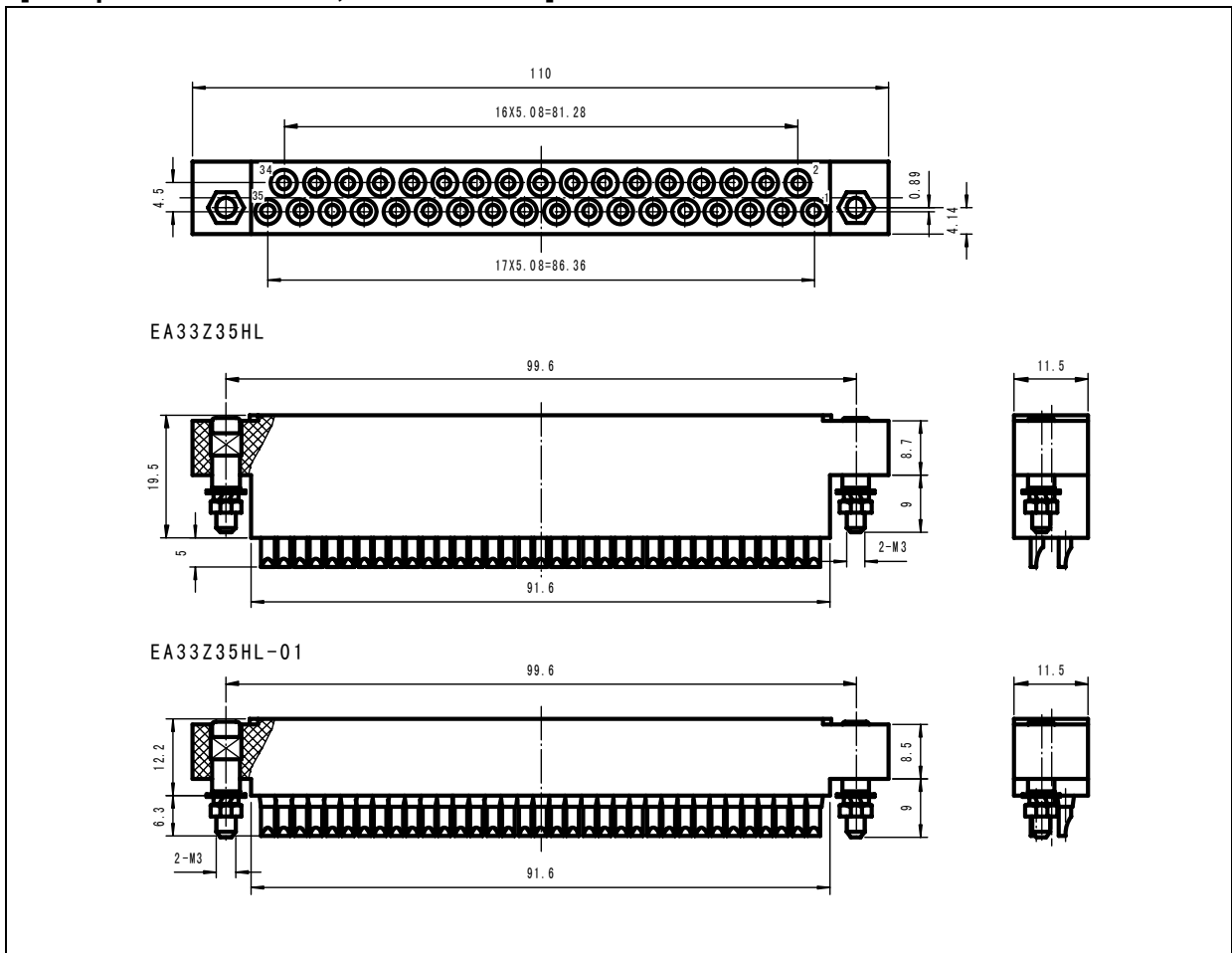
[Plug EA33T35WJ-01]

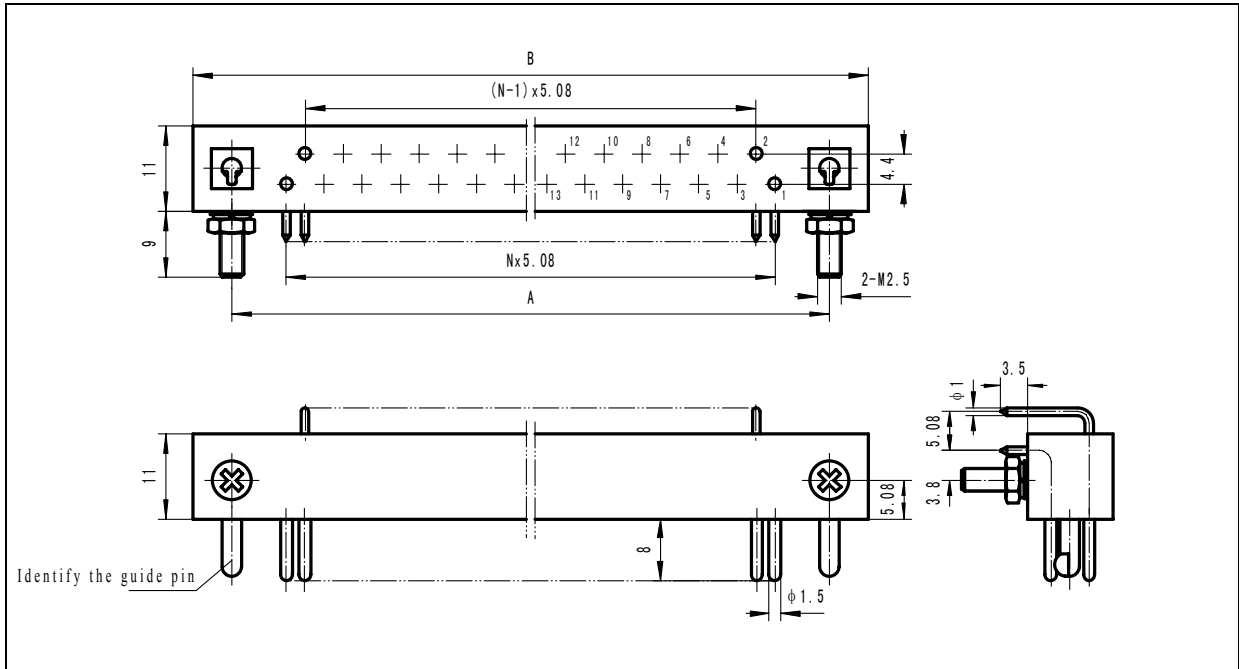
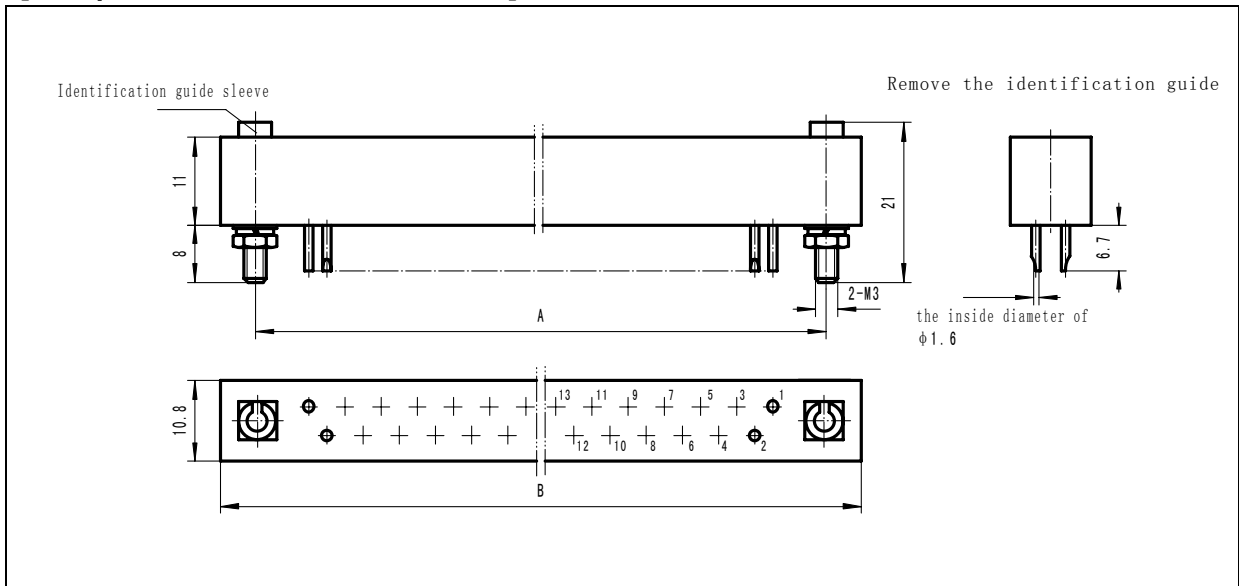


**[Receptacle EA33Z35BJ]**



**[Receptacle EA33Z35HJ, EA33Z35HJ-01]**



**[Plug EA46T29WL, EA46T45WL]**

**[Receptacle EA46Z29HJ, EA46Z45HJ]**


P/N	A	B	N
EA46T29WJ EA46Z29HJ	84.68	95.6	14
EA46T45WJ EA46Z45HJ	125.32	136.3	22

\* Note: EA46-29 uses hexagonal polarization and EA46-45 uses square polarization