

AOH Series EMI Shielding Optical Fiber Connector

Description

- Metal shell: stainless steel passive and copper alloy nickel plating available.
- Five key orientation to blind mate and avoid mis-mating
- Thru-bulkhead sealed structure
- Ceramic ferrule and sleeve, PC polishing
- Adaptor without optical cable bondage
- EMI shielding

Applications

- Military communication network
- Military computer system
- Vehicle carrier, air-borne or ship-borne

Main technical characteristic

—Insertion loss: $\leq 0.6\text{dB}$

—Operating temperature: $-40^{\circ}\text{C} \sim +80^{\circ}\text{C}$

—Vibration: 10~500Hz, acceleration 98m/s^2

—Shock: 980m/s^2

—Durability: 500 cycles

—Heat& damp: temperature $(+30\pm 2)^{\circ}\text{C} \sim (+60\pm 2)^{\circ}\text{C}$, humidity 90%~95%, duration 4 d

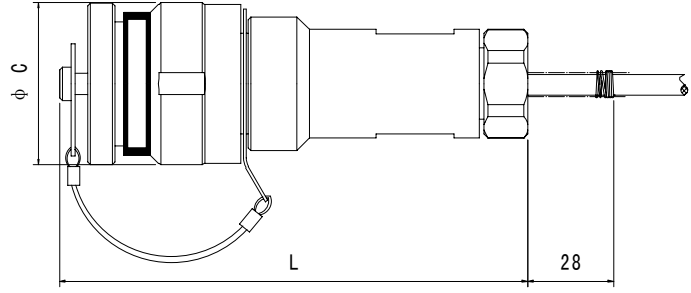
—Shielding: 65dB at 10GHz; 60dB at 40GHz

Ordering information

Basic series	AOH	15	T	02	B1	P40	N	03
Shell size	15、13							
Type	T—Plug F—Square flange receptacle (or adapting receptacle) Y—Jam nut receptacle							
Number of contact	02—2 fibers (for 15# shell) 04—4 芯 (for 13# shell)							
Contact type	A1—Optical fiber pin (for square flange receptacle); B1—Optical fiber socket (for plug) C1—Optical fiber adapting contact (for adapting receptacle)							
Plating	For plug: P40—Stainless steel, passive P11—Copper alloy, nickel plating For receptacle and adapting receptacle: D40—Stainless steel, passive D11—Copper alloy, nickel plating							
Polarization	N—normal; A/B/C/D/E—variations							
Design no.	03—EMI shielding							

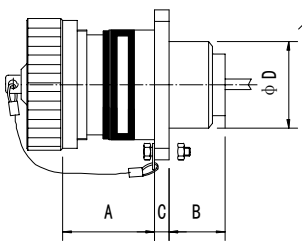
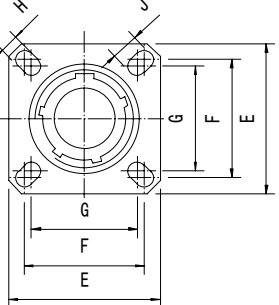
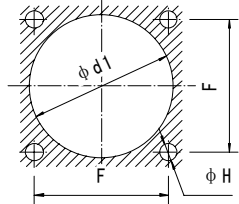
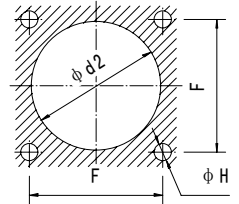
Outline dimensions

[Receptacle assembly]

	Shell size	C	L	Applicable optical cable
	15	25.4	84	φ5 optical cable with two fibers
	13	29.40	88	φ7 optical cable with four fibers

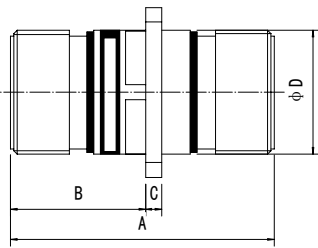
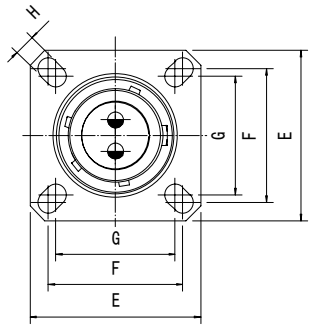
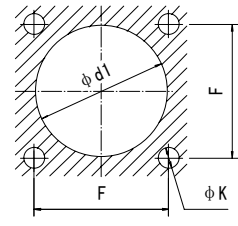
Note: L in the table is the maximum dimension of the shell size. Actual length is different by cables.

[Receptacle assembly]

		After the equipment	Before loading
			
<p>Note: dimension A in the figure is from mounting panel to receptacle port.</p>		Maximum thickness of the panel 2.5mm	Maximum thickness of the panel 3.2mm

Shell size	A Max	B Max	C Max	D	E	F	G	H	J	d1 Min	d2 Min
15	20.7	9.7	2.50	15	26.20	20.62	18.26	3.25	4.93	20.22	15.88
13	22.2	9.7	2.50	18	28.60	23.01	20.62	3.25	4.93	23.42	19.05

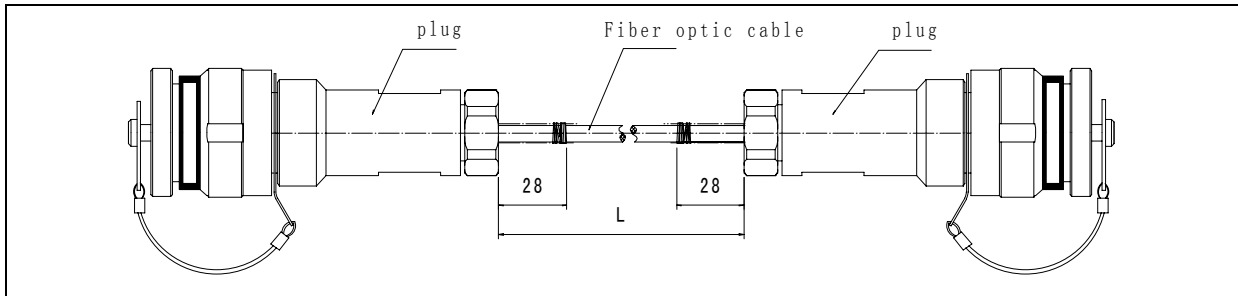
[Adapting receptacle]

		Recommended panel opening dimensions
		
<p>Maximum thickness of the panel 2.5mm</p>		

Shell size	A Max	B Max	C Max	D	E	F	G	H	d1 Min	K
15	40.4	20.7	2.50	19.05	26.20	20.62	18.26	3.25	20.22	3.3
13	43.4	22.2	2.50	22.23	28.60	23.01	20.62	3.25	23.42	3.3

Common Optical Fiber Cable Assembly

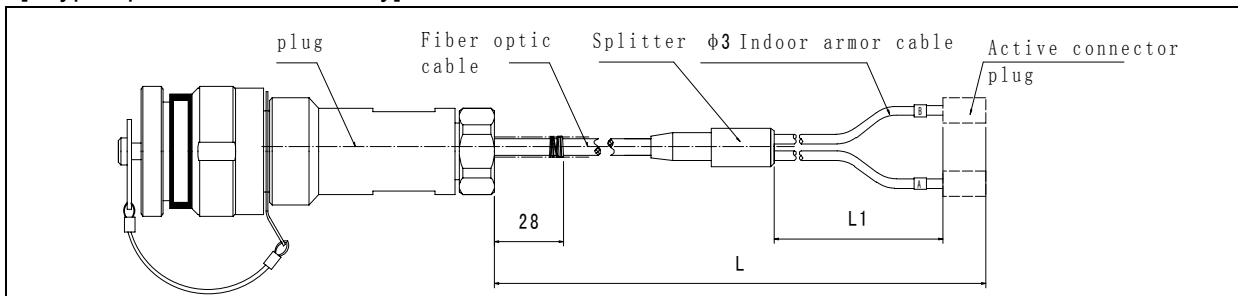
[I type optical fiber cable assembly]



[Ordering information]

1 end plug type	AOH15T02B1D11N03	-AOH15T02B1D11N03	-C5*2	-S	50
2 end plug type					
Optical cable characteristics	Two fibers: C5*2 Four fibers: C7*4				
Transmission mode	S—Signal mode G. 652 M—Multi mode 62.5/125 MI—Multi mode 50/125				
Optical cable length	The cable length can be customized, unit: m				

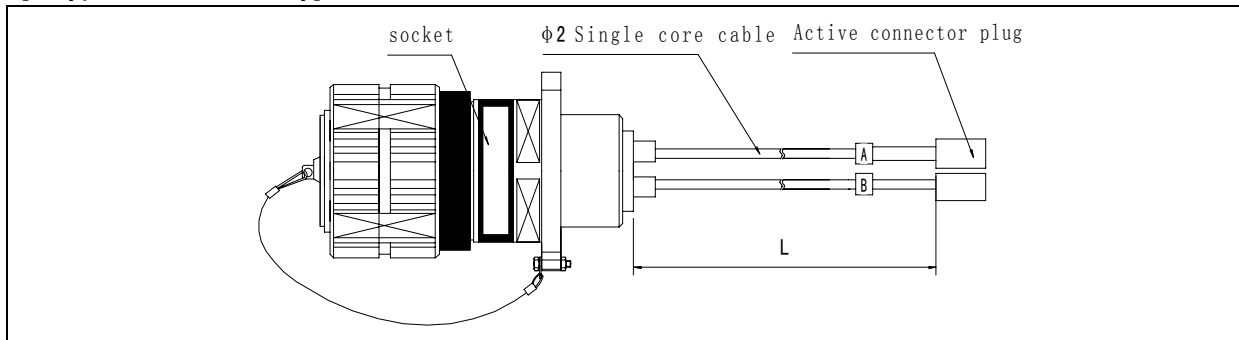
[II type optical cable assembly]



[Ordering information]

1 end plug type	AOH15T02B1D11N03	-2FC	-C5*2	-2	S	50	/0.3
Quantity and type of 2 end plug							
Optical cable characteristics	Cable O.D.: $\phi 5$, two fibers						
Dia. of branch cable	According to customer's requirement, unit: mm						
Transmission mode	S—Single mode G. 652 M—Multiple mode 62.5/125 MI—Multiple mode 50/125						
Length of cable	According to customer's requirement, unit: m						
Length of branch cable	According to customer's requirement, unit: m						

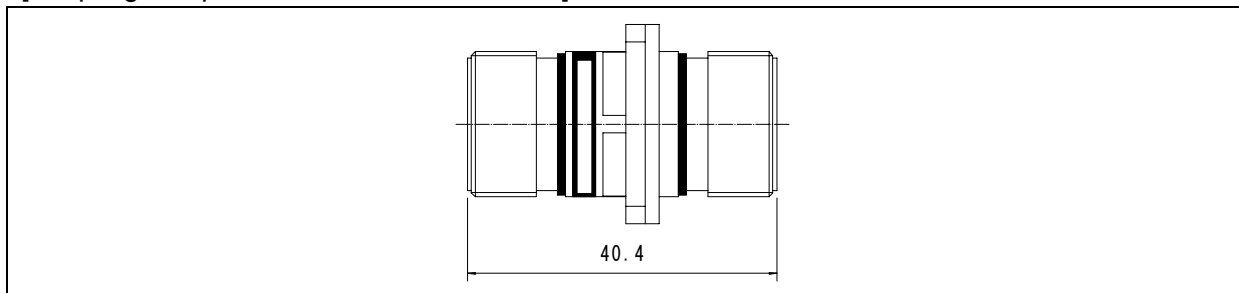
[III type cable assembly]



[Ordering information]

1 end plug type	AOH15F02A1D11N03		-2FC	-S	2	-L3
Quantity and type of 2 end plug						
Cable characteristic	S—Single mode G. 652 M—Multiple mode 62.5/125 MI—Multiple mode 50/125					
Diameter of cable	Unit: mm					
Length of cable	According to customer's requirement, unit: m					

[Adapting receptacle AOH15F02C1D11N03]



[Ordering information]

1 end plug type	AOH15F02C1D11N03		-S
Quantity and type of 2 end plug	S—Single mode G. 652 M—Multiple mode 62.5/125 MI—Multiple mode 50/125		

- Notes: 1) Copper alloy nickel plating shell or stainless steel passive shell;
 2) Movable plug can be MTRJ/DLC/SC/ASC/FC/AFC/ST/LC and MU, etc;
 3) L and L1 are in accordance with the customer's requirement