

Model: AN-PSTKa/Ku-d550

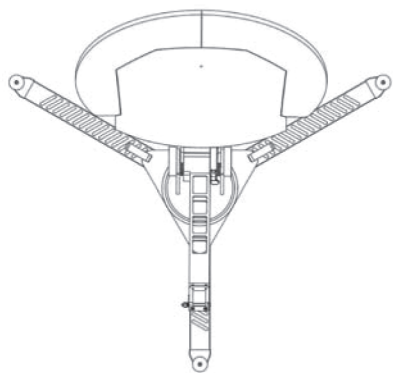
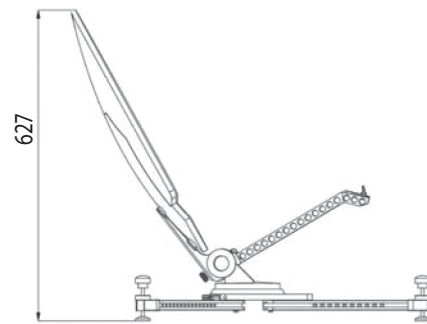
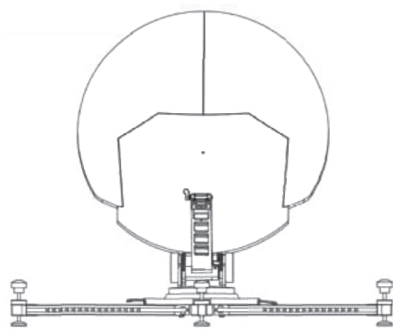
- **AN-PSTKa/Ku-d550** is intelligent, integrated design of portable satellite communications equipment. The modular architecture and easy-to-plug components allow the system to be fully assembled in minutes. The system can be upgradeable to the Ka band via the Ku and Ka band kits on site, and suitable used for oil and gas exploration, military communications, disaster management, emergency communications, etc.

• FEATURES

- Compact ,lightweight and easy to carry
- High performance Carbon Fiber reflector
- Available in Single Panel or Multi Panel
- 3-minute setup
- Replaceable Ku/Ka Feedhorn
- Heavy duty feed arm capable of supporting transceiver



OUTLINE DRAWING(All dimensions in mm)



Notes: This product can be customized according to the actual needs of the user

MAIN SPECIFICATIONS

Performance	Ku	Ka	
Antenna			
Antenna Size	0.55m		
Antenna Type	Offset Parabolic		
Reflector Material	Carbon Fiber		
Frequency	Rx:10.95 ~ 12.75GHz	Rx:18.20 ~ 20.20 GHz	
	Tx:13.75 ~ 14.50GHz	Tx:28.1 ~ 30.00 GHz	
Polarization	Linear	Circular	
Gain	Rx:34.6dBi	Rx:38.8dBi	
	Tx:36.2dBi	Tx:42.4dBi	
VSWR	Rx: ≤1.5:1 Tx:≤1.3:1		
Cross pol isolation	≥30.0dB (on axis)	N/A	
Axial Ratio	N/A	≤1.3dB	
Side lobe	-14 dB(first side lobe)		
OMT Interface	WR75	Rx:WR42	Tx:WR28
Mechanical			
Azimuth Range	-100° ~ 100°		
Elevation Range	10° ~ 90°		
Polarization Range	±90° (Manual)	0° or 180° (Manual)	
Deploy Time	≤3min		
Weight	≤5.8kg		
Size	550mm x 380mm x 250mm		
Environmental			
Operating Temp	-25 °C ~ 55 °C		
Storage Temp	-40 °C ~ 75 °C		
Wind Speed	Operational: ≤14m/s		
	Survival: ≤18m/s		
Rainfall	Operational: ≤120mm/h		
	Survival: ≤230mm/h		
Humidity	5 ~ 95%		