

## Adapters

### Description

- Different interface conversion
- Small size, easy installation
- Stable and reliable environment performance

### Application

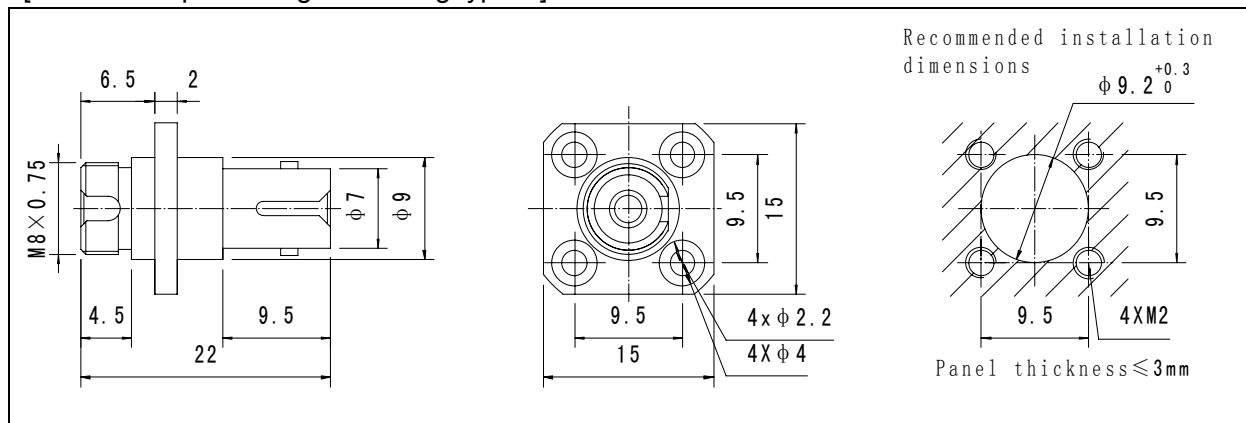
- Different optical test system
- Temporary connection application
- Instrument

### Performance

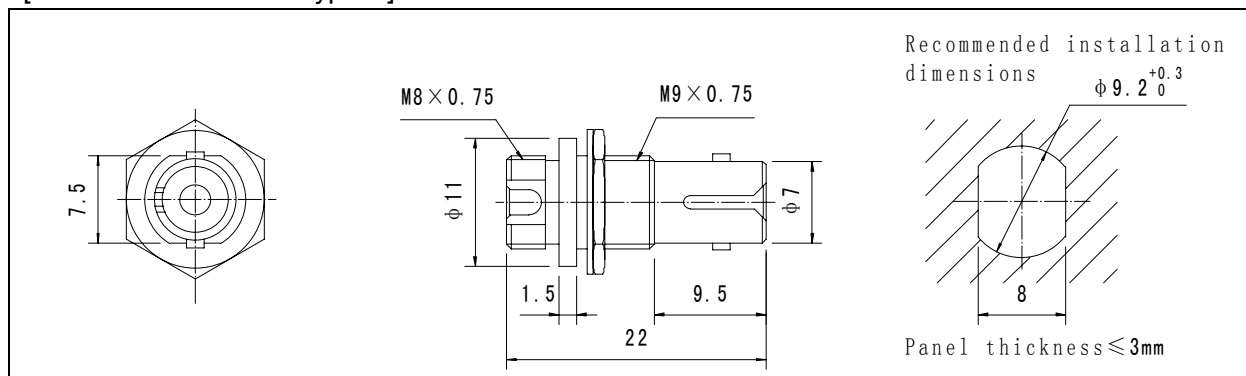
Parameter	Adapter
Insertion Loss (dB)	≤0.1
Durability (cycles)	>1,000 (metal type), >500 (plastic type)
Operating temperature (°C)	-40~+85 (metal type), -25~+70 (plastic type)

### Outline dimensions

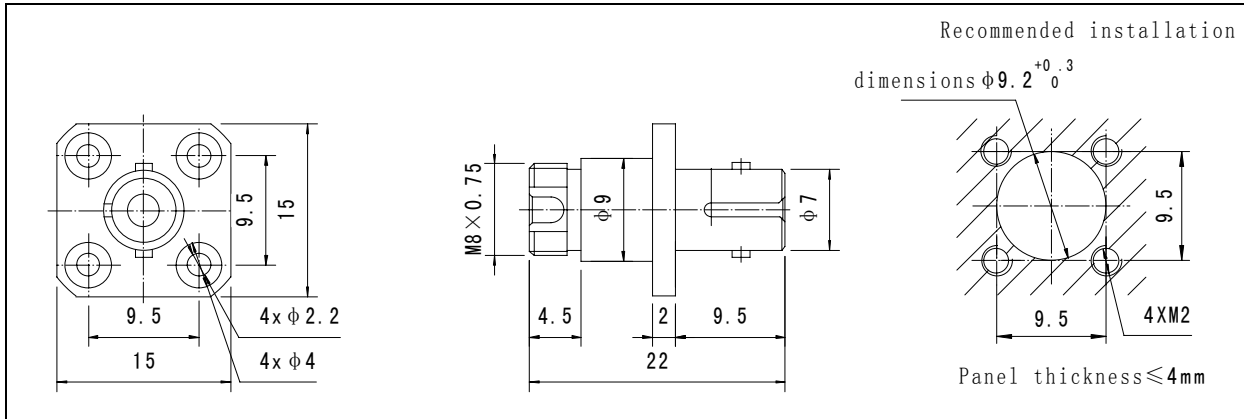
[FCST-A (square flange mounting type) ]



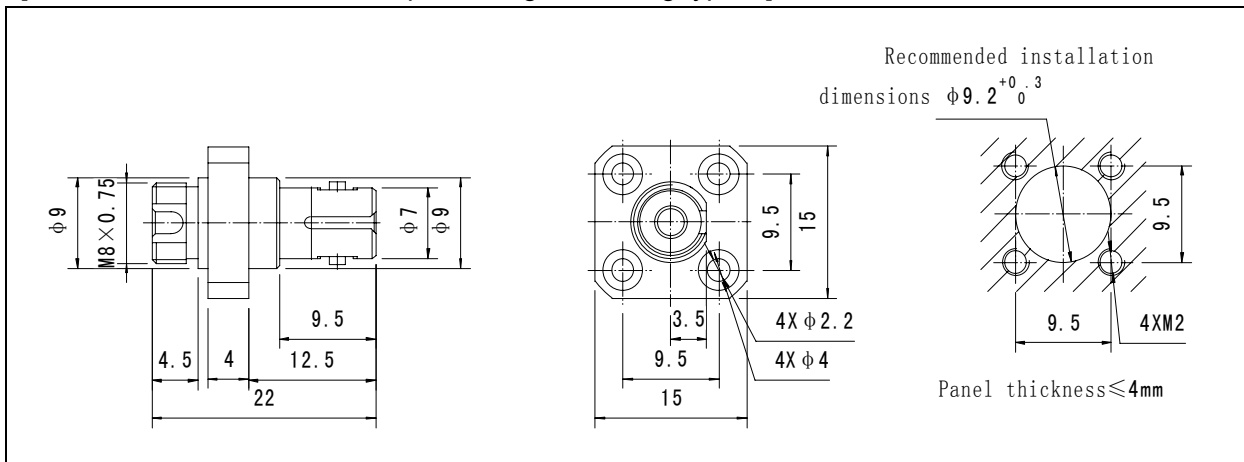
[FCST-A-01 (Jam nut type) ]



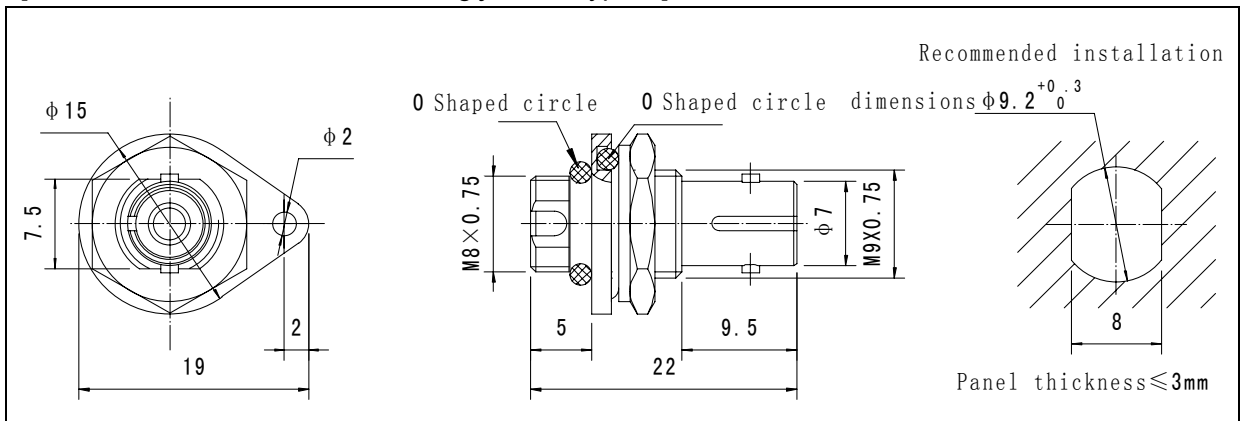
[FCST-A-03 (Thru-bulkhead square flange mounting type) ]



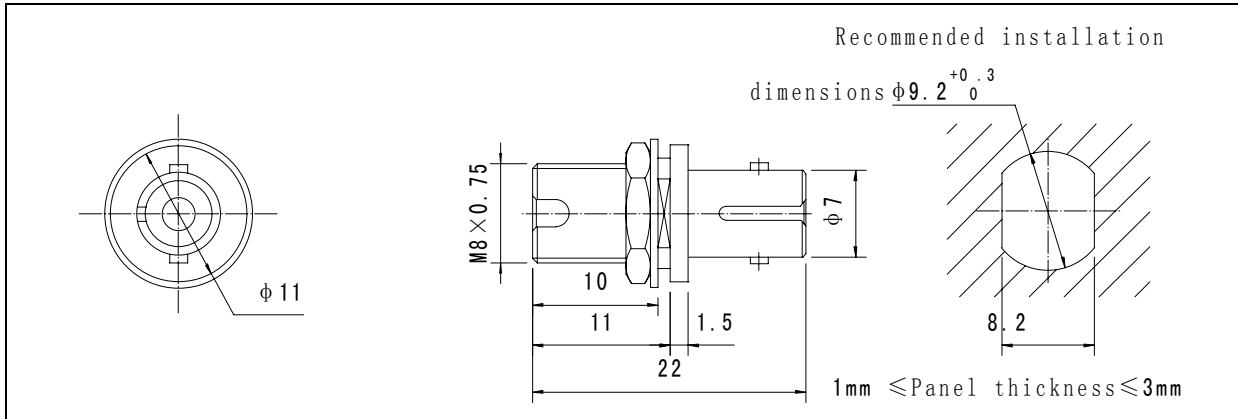
[FCST-A-04 (Thru-bulkhead square flange mounting type) ]



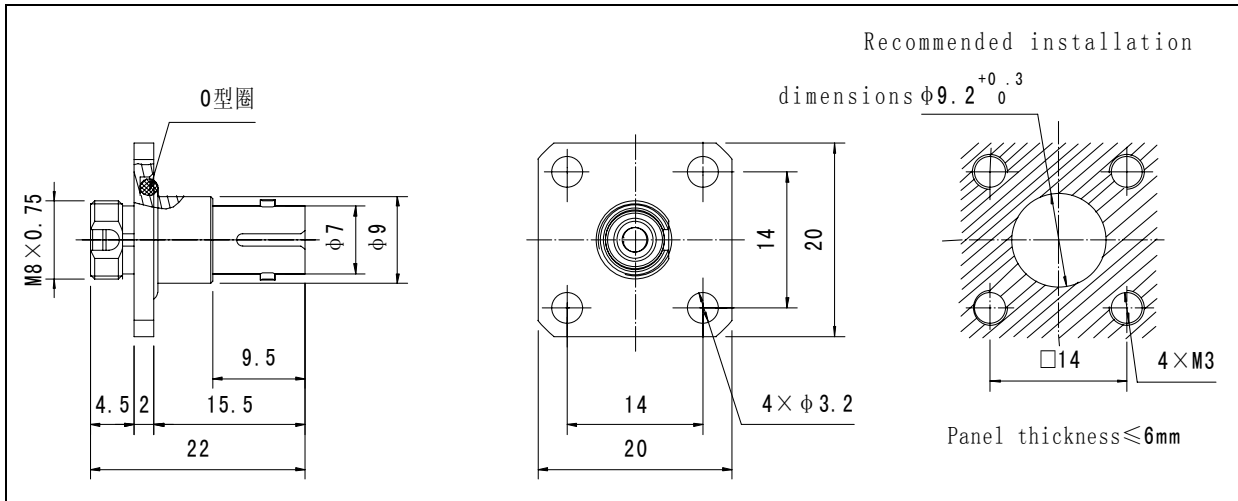
[FCST-A-06 (Thru-bulkhead sealing jam nut type) ]



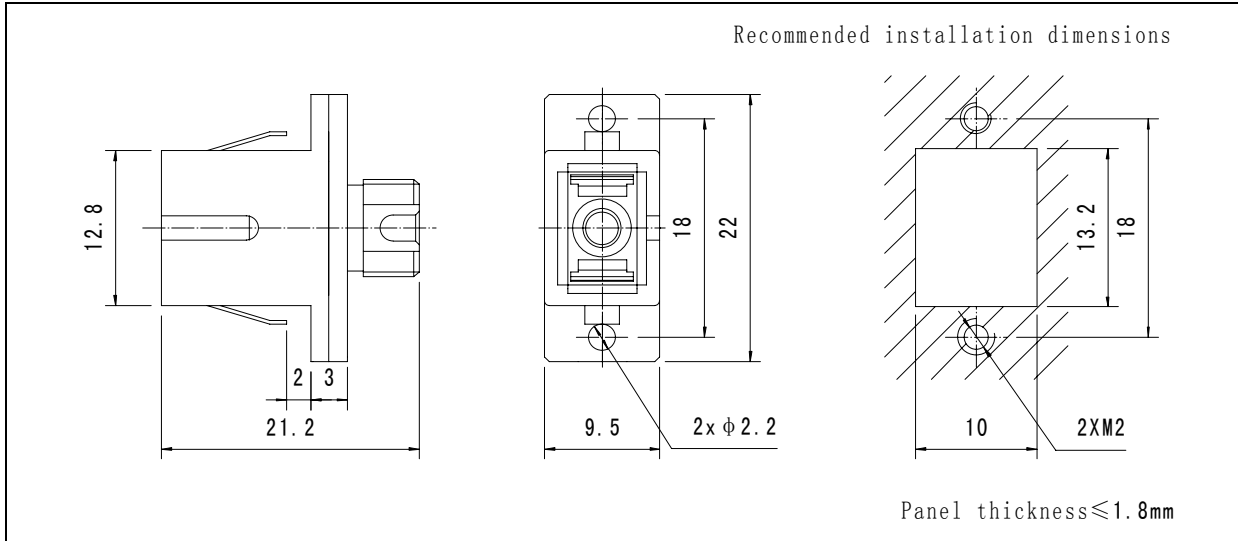
[FCST-A-07 (Thru-bulkhead jam nut type) ]



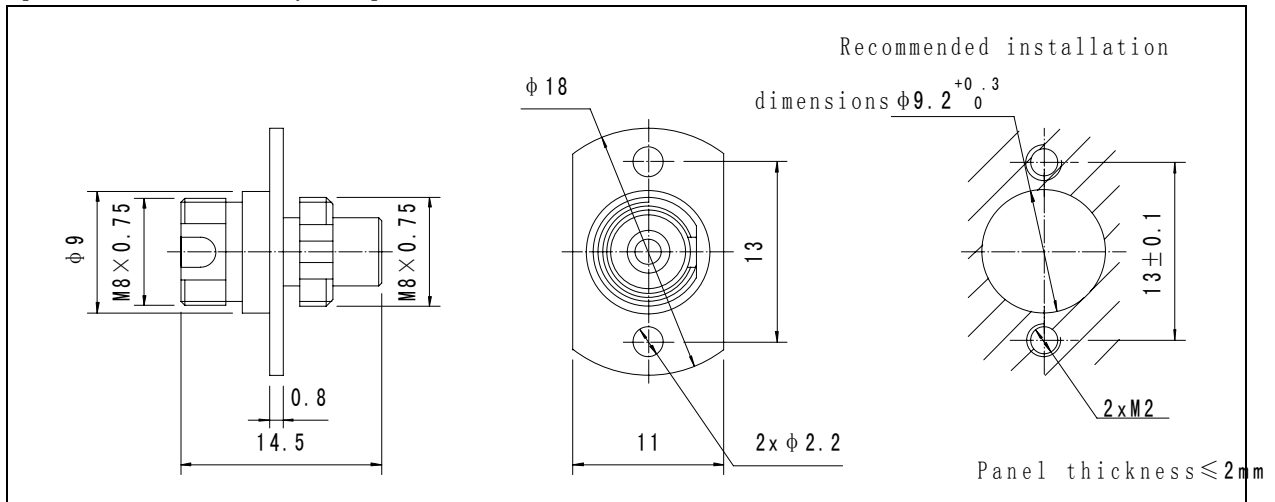
[FCST-A-08 (Thru-bulkhead square flange type) ]



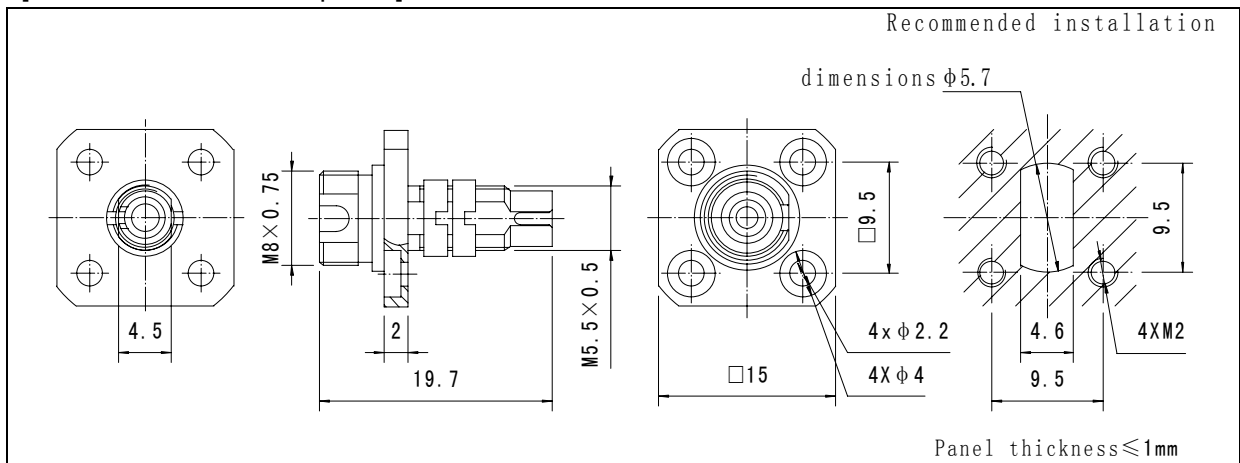
[FCSC-A (FCSC adapter) ]



[FCD4-A (FC-D4 adapter) ]



[FCDIN-A (FC-DIN adapter) ]



[FCDIN-A-02 (FC-DIN adapter) ]

