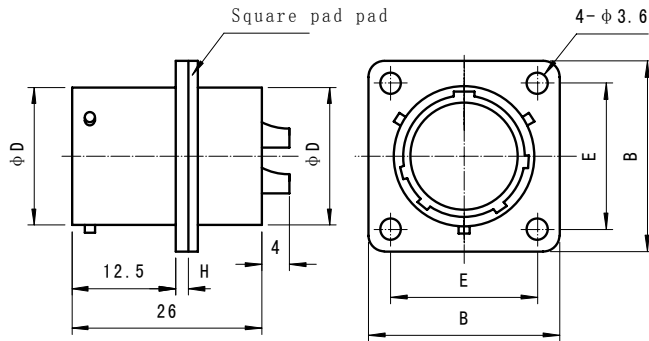
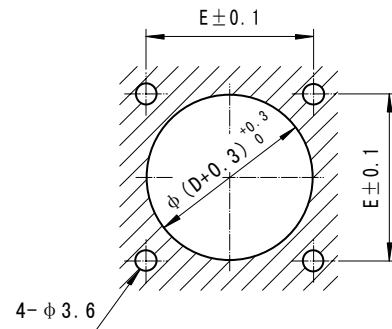


[Square flange receptacle]

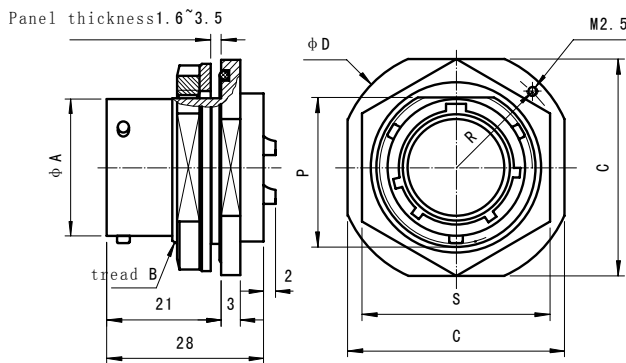


Recommended panel hole size

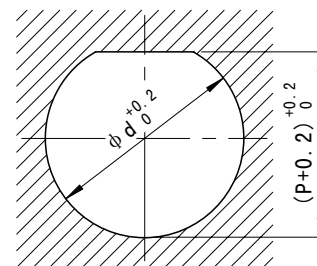


Shell size	H	D	B	E	Shell size	H	D	B	E
10	1.5	16	24	18	18	2	29	36	27
12	2	20	27	21	20	2	32	39	29
14	2	23	30	23	22	2	35	42	32
16	2	26	33	25	24	2	38	45	35

[Jam nut receptacle]



Recommended panel hole size



Shell size	A	Thread B	C	D	S	R	P	d
10	16	M20×1	27	33.2	24	14.4	19	20.5
12	20	M24×1	32	39.2	27	17.4	23	24.5
14	23	M27×1	36	42.2	30	18.9	26	27.5
16	26	M30×1	38	45.2	32	20.0	29	30.5
18	29	M33×1	41	47.2	36	21.7	32	33.5
20	32	M36×1	46	50.2	41	23.0	35	36.5
22	35	M39×1	50	54.2	43	25.0	38	39.5
24	38	M42×1	53	56.2	46	26.0	41	42.5

See available backshells in catalog of A72Z series.